

Outdoor Patio Heater

Endless Summer



Owners Manual Manuel d'Utilisation

Model No.
153100

U.S. Patent Number: 6,470,877
Les ETATS-UNIS font breveter
le nombre : 6,470,877



WARNING
FOR YOUR SAFETY

*For Outdoor Use Only
(Outside any enclosure)*



WARNING
FOR YOUR SAFETY

Improper installation, adjustment, alteration, service or maintenance can cause injury or property damage. Read the installation, operation and maintenance instructions thoroughly before installing or servicing this equipment.



AVERTISSEMENT

POUR VOTRE SECURITE:

*A Utiliser Uniquement a l'Exterieur
(hors de tout abri clos)*



AVERTISSEMENT

POUR VOTRE SECURITE:

Tout mauvais réglage ainsi que toute installation, modification, ou maintenance incorrecte risque de provoquer des blessures ou des degats materiels. Lire complètement les instructions concernant l'installation, le fonctionnement et l'entretien avant d'installer ou de proceder a la maintenance de cet appareil.



WARNING

FOR YOUR SAFETY

*For Outdoor Use Only
(Outside any enclosure)*



WARNING

FOR YOUR SAFETY

If you smell gas -

- 1. Shut off gas to appliance.*
- 2. Extinguish any open flame.*
- 3. If odor continues, contact your gas supplies or fire department*



WARNING

FOR YOUR SAFETY

- 1. Gas leaks may cause a fire or explosion which can cause serious bodily injury or death, or damage to property.*
- 2. You must follow all leak checking procedures as outlined in step 13 before operating this unit.*
- 3. Never use an open flame to check for leaks.*



WARNING

FOR YOUR SAFETY

Do not store or use gasoline or other flammable vapors or liquids in the vicinity of this or any other appliance.



WARNING

FOR YOUR SAFETY

Improper installation, adjustment, alteration, service or maintenance can cause injury or property damage. Read the installation, operation and maintenance instructions thoroughly before installing or servicing this equipment



WARNING

*California Proposition 65:
Chemicals known to the state of California to cause cancer, birth defects, or other reproductive harm are created by the combustion of propane.*



WARNING

FOR YOUR SAFETY

- Purchaser assumes all risk in the assembly and operation of this unit. Failure to follow this manual's WARNINGS and instructions can result in severe personal injury, death or property damage.*
- Do not use in an explosive atmosphere. Keep heater away from areas where flammable liquids, gasoline, vapors, or explosives are stored or used.*

**Contact 1-800-762-1142 for assistance.
Do not return to place of purchase.**

Table of Contents

Safety First! 3

Assembly Instructions

 Components & Hardware 5

 General Components & Features 6

 Additional Requirements 6

 Step 1 Attach Legs to Base 6

 Step 2 Attach Cylinder Shroud to Legs 7

 Step 3 Assemble Cup, Plate & Ring to Cap 7

 Step 4 Attach Cap Assembly to Legs/Insert Gas Line 7

 Step 5 Assemble Emitter Top 8

 Step 6 Assemble Emitter 8

 Step 7 Attach Engine to Post 8

 Step 8 Connect Engine/Pole Assembly to Cap 9

 Step 9 Connect Gas Line to Engine 9

 Step 10 Attach Dome to Emitter 10

 Step 11 Secure Gas Line 10

 Step 12 Connect Gas Line to Cylinder 10

 Step 13 Check for Leaks 11

 Step 14 Install Cylinder Access Panel 12

 Step 15 Replace Engine Access Panel 12

Operation

 Before Turning Gas Supply ON 13

 Before Lighting 13

 Lighting 13

 Re-Lighting 14

 Shutdown 14

 Checklist 15

Troubleshooting 16

Maintenance 17

Storage 18

Service 18

Warranty 19

Specifications 20



The use and installation of this product must conform to local codes. In absence of local codes, use the National Fuel and Gas Code, ANSI Z223, 1/NFPA 54, Storage and Handling of Liquid Petroleum Gases, ANSI/NFPA 58 or CSA B149.1, Natural Gas and Propane Installation Code.

Save these instructions for future reference. If you are assembling this unit for someone else, give this manual to him or her to save for future reference.



**Before you do anything else,
read and understand all
precautions in Safety First!**



WARNING

FOR YOUR SAFETY

- **Purchaser assumes all risk in the assembly and operation of this unit. Failure to follow this manual's WARNINGS and instructions can result in severe personal injury, death or property damage.**
- **Do not use in an explosive atmosphere. Keep heater away from areas where flammable liquids, gasoline, vapors, or explosives are stored or used.**

Safety First!

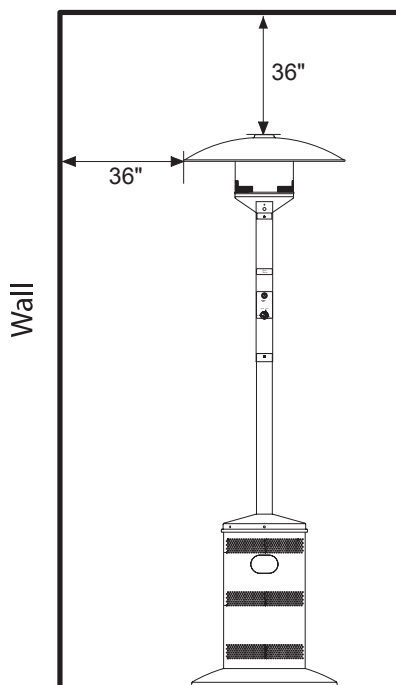
Read and become familiar with this entire manual, especially the following precautions.

If you are unsure of anything in these instructions, STOP and contact 1-800-762-1142 for assistance.

Caution: This appliance is for outdoor use only (outside any enclosure). Always make sure there is fresh air ventilation.

- Always maintain at least 36" clearance from combustible materials.
 - Always place heater on a hard and level surface.
 - Do not use if the wind velocity is greater than 10 miles per hour.
 - Unit will operate at reduced efficiency below 40°F (5°C).
 - Keep sprinklers and other water sources away from burner and controls.
 - **Always use extreme caution when near heater. Alert both children and adults to the hazards of high temperatures, especially to avoid burns or clothing catching fire.**
 - **Young children and pets should be carefully supervised when they are in the area of heater.**
 - **Do not hang clothing or other flammable materials either on or near heater.**
 - **Any guard or other protective device removed for servicing the heater must be replaced prior to operating the heater.**
 - Certain materials or items, when stored under heater, will be subjected to radiant heat and could be seriously damaged.
 - Do not alter heater in any manner.
 - The pressure regulator and hose assembly supplied with the appliance must be used and replacements must be those specified by the manufacturer.
 - Inspect heater before each use. If a damaged part is detected, do not operate until an original equipment replacement part has been properly installed. Use of unauthorized parts will void warranty and create an unsafe condition.
 - Do not attempt to use this appliance without a functional factory-supplied gas regulator in place. If regulator becomes damaged, use only a factory-supplied replacement.
 - Prior to operating heater, replace any guards or protective devices removed for servicing.
 - During operation, do not touch burner assembly. The surface of heater's emitter can reach temperatures approaching 1600°F.
 - After shutdown, do not touch burner assembly until heater has cooled (approximately 45 minutes after use).
- Notice:** This product should not be used with any fuel other than liquid propane. Use of other fuels will detract from heaters performance and will void your warranty.

Ceiling or Overhang



**Contact 1-800-762-1142 for assistance.
Do not return to place of purchase.**

Endless Summer 

Caution: Liquid propane (LP) gas is flammable and hazardous if handled improperly. Become aware of the characteristics before using any LP product.

- LP Characteristics – Flammable, explosive under pressure, heavier than air - settles in pools in low areas.
- In its natural state, propane has no odor. For your safety, an odorant is added that smells like rotten cabbage.
- Contact with LP can cause freeze burns to skin.
- This heater is shipped from the factory for LP gas use only.
- Use only Department of Transportation (DOT) approved “20 lb.” LP gas cylinders (same as those commonly used on gas grills) with Acme / Type 1 / QCC safety valves. These valves can be quickly identified because they have external and internal threads.
- Never use an LP cylinder with a damaged body, valve, collar, or footing.
- Dented or rusted LP cylinders may be hazardous and should be checked by your LP gas supplier.
- The cylinder supply system must be arranged for vapor withdrawal.
- The cylinder used must include a collar to protect the cylinder valve.
- When heater is not in use, turn LP cylinder OFF.
- Always perform a leak test on gas connections whenever a cylinder is connected. Never use a flame to test for leaks. Do not smoke while performing a leak test.

Caution: It is essential to keep the heater’s valve compartment, burners, and circulating air passages clean.

- Spiders and insects can create a dangerous condition that may damage heater or make it unsafe. Keep burner area clean of all spiders, webs, or insects.
- Inspect heater before each use.
- **Have heater inspected annually and repairs should be made by a qualified service person.**
- Check heater immediately if any of the following conditions exist:
 - The smell of gas in conjunction with extreme yellow tipping of burner flames.
 - Heater does not reach proper temperature.

Note: At temperatures less than 40°F, heat output will be reduced.

- Heater’s glow is excessively uneven
- Burner makes popping noises during use.

Note: A slight pop is normal when burner is extinguished.

- Carbon deposits may create a fire hazard. Keep dome and emitter clean at all times.
- Do not clean heater with combustible or corrosive cleaners. Use warm, soapy water.
- Do not paint engine, engine access panel or dome.

“20 lb.” LP Cylinder



FOR YOUR SAFETY:

Beware of Spiders

Spiders or small insects can get into the burner tube or other openings of your heater, and spin webs or build nests. These obstructions can lead to gas flow problems. It is important to make frequent inspections of these areas and clean them when necessary.

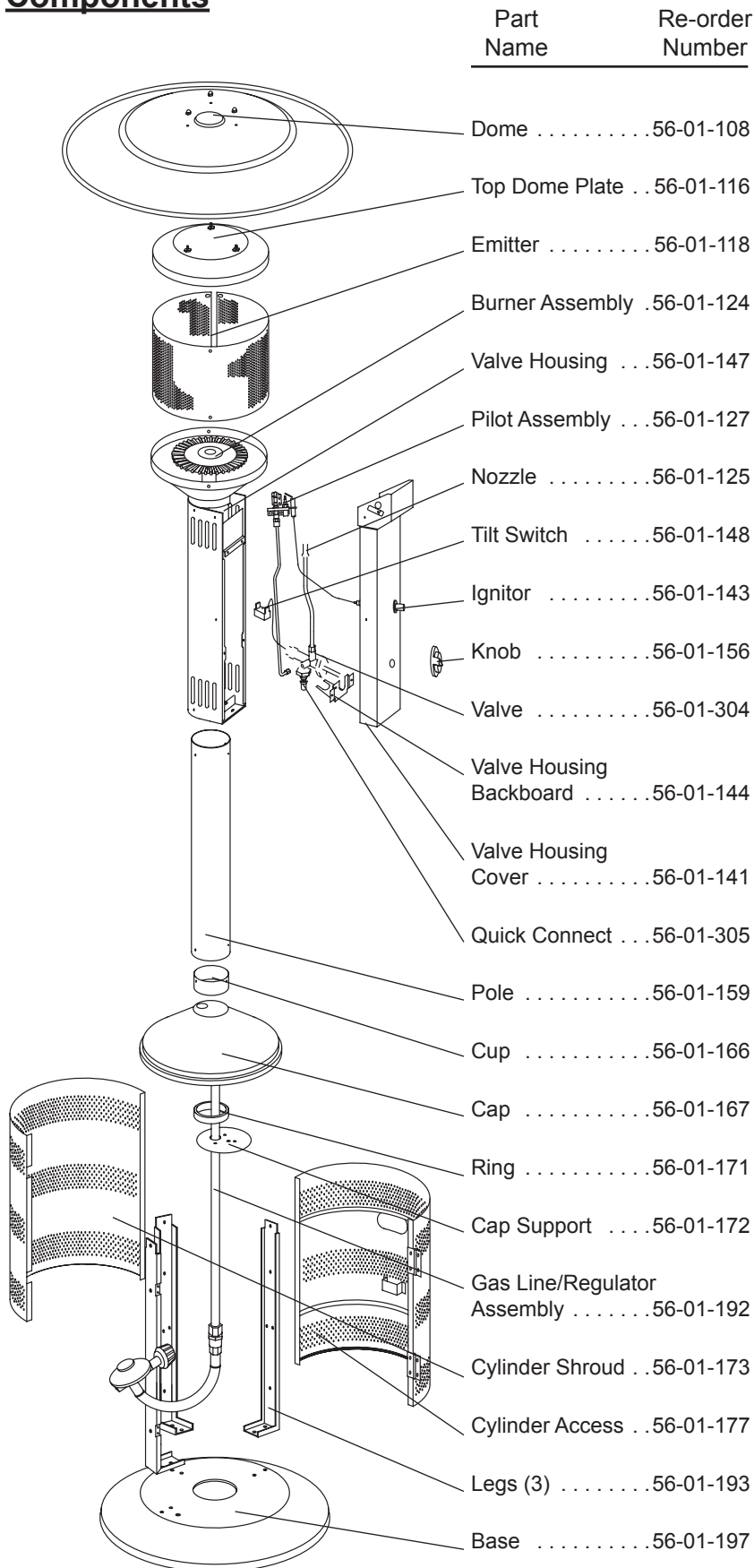
Before operating your heater for the first time, be sure to check for obstructions that may have occurred during shipment.

Need a cylinder or gas?

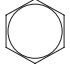














Try Blue Rhino cylinder exchange service. It's easy, fast, safe, and available at tens of thousands of conveniently located retail outlets nationwide. You can purchase a new full cylinder or exchange your empty for a precision filled one.

For your nearest Blue Rhino retailer visit www.bluerhino.com.

Components



Hardware

Picture	Qty	Description	Used in Step(s)
	9	Large Bolt 56-01-200	1 & 3
	3	Small Bolt 56-01-201	5
	1	Extra Large Screw 56-01-202	11
	17	Medium Screw 56-01-203	2, 4, 7 & 8
	10	Small Screw 56-01-204	6
	9	Lockwasher 56-01-206	1 & 5
	9	Large Nut 56-01-209	1 & 5
	3	Cap Nut 56-01-210	10
	2	Small Nut 56-01-211	6
	1	Clip 56-01-214	11
	1	Latch 56-01-216	14
	2	Latch Screw 56-01-217	14
	2	Latch Nut 56-01-218	14
	4	Hinge Screw 56-01-219	14
	4	Hinge Nut 56-01-220	14

**Contact 1-800-762-1142 for assistance.
Do not return to place of purchase.**

Endless Summer 

Assembly Instructions

General Components & Features

Familiarize yourself with all components before proceeding. Refer to page 5 for hardware and components, and page 20 for specifications.

Do NOT attempt assembly unless all components are available. If you believe a component is missing or damaged, contact 1-800-762-1142 for assistance.

Note: All hardware is mounted on a cardboard pack and numbered to match their assembly step.

Additional Requirements

The following items are not included, but are necessary for the proper assembly of your heater. Do NOT attempt to assemble without proper tools. A hex (Allen) wrench is necessary and is included in the parts bag.

- (1) 7/16" Wrench
- (1) 7/16" Socket Wrench
- (1) #2 Phillips Head Screwdriver
- (1) Leak Detection Solution (Instructions to prepare are included in step 13)
- (1) Precision Filled LP Gas Grill Cylinder with Acme Type 1 external threaded valve connection (4-5 gallon size)

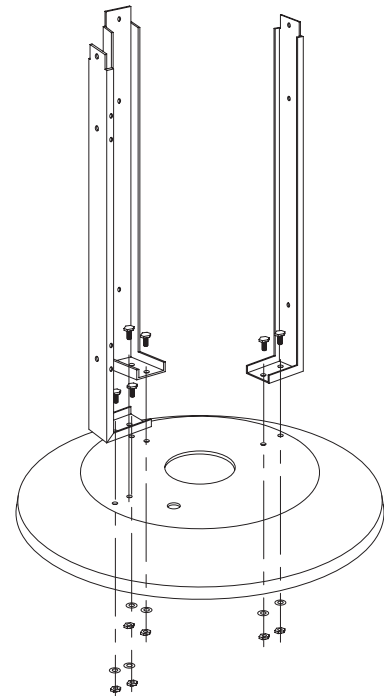
Note: You must follow all steps to properly assemble heater.

Step 1 – Attach Legs to Base

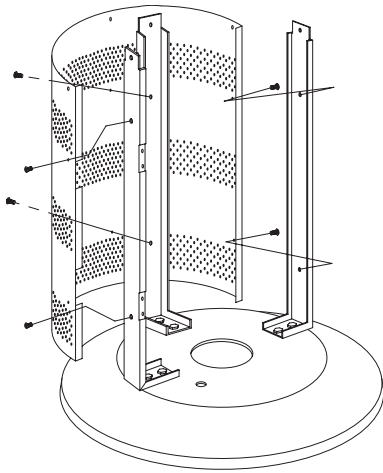
Note: Attach Leg with notches for hinges as shown at left.

Secure each leg to base using (2) Large Bolts, (2) Lock Washers and (2) Large Nuts per leg. Finger tighten only.

Do not fully tighten until Step 2.



Step 2—Attach Cylinder Shroud to Legs



Line up slots in Cylinder Shroud flange with notches in left leg as shown.

Line up holes in center of Shroud with holes in Center Leg. Attach Cylinder Shroud to center Leg using (2) Medium Screws.

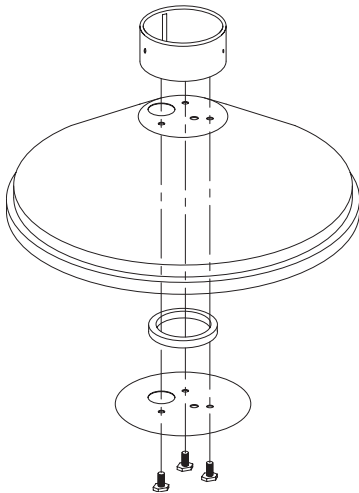
Secure Cylinder Shroud to outside Legs using (2) Medium Screws per leg.

Tighten nuts and bolts from Step 1.

TIP:

To tighten use a 7/16" wrench on Bolt and a 7/16" socket wrench on Nut.

Step 3—Attach Weight Plate to Base



Place Spacer Ring on Support Plate so that all holes in plate fit inside ring.

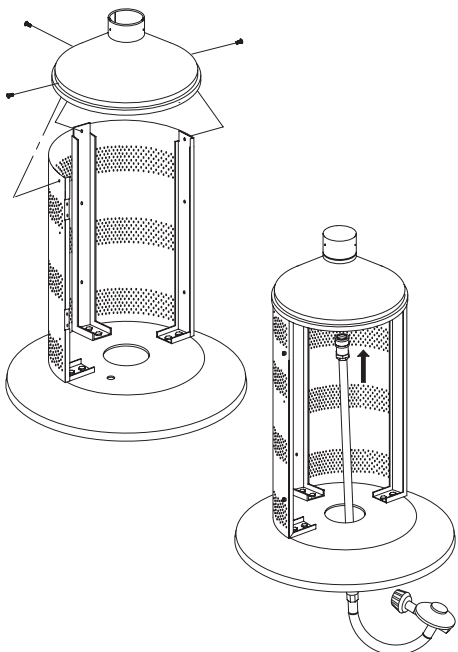
Line up 3 small, unthreaded holes in plate with corresponding holes in cap.

Line up these holes with three threaded holes in Cup.

Insert (1) Large Bolt and tighten loosely.

Repeat for other (2) Large Bolts, then secure all tightly.

Step 4 – Attach Cap Assembly to Legs/Insert Gas Line



Line up 3 holes in Cap Assembly with holes in top of Shroud and legs.

Insert and tighten (1) Medium Screw into center leg.

Insert and tighten (1) Medium Screw into each of the outer legs.

Tilt base on edge and slide Gas Line up through large hole in Base, then through Cap Assembly.

**Contact 1-800-762-1142 for assistance.
Do not return to place of purchase.**

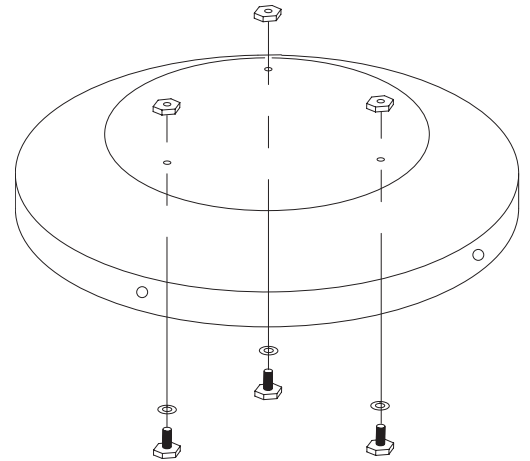
Endless Summer 

Step 5 – Assemble Emitter Top

Slip (1) Small Bolt through hole in Emitter Top from inside.

Slip (1) Lockwasher over bolt and thread (1) Large nut all the way down and tighten.

Repeat for other two holes.



Step 6 – Assemble Emitter

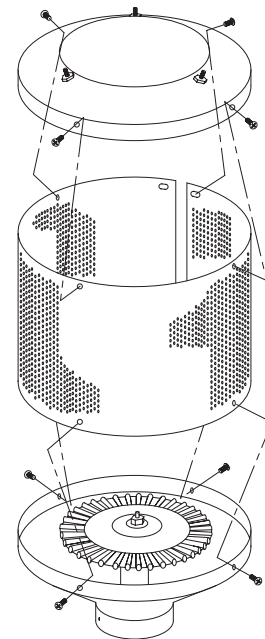
Curl Emitter Screen into a circle. Overlap ends and line up holes. Secure together using (2) Small screws and (2) small nuts.

Line up holes in bottom of Emitter Screen with holes in Engine.

Attach Emitter Screen to Engine with (4) Small Screws.

Line up holes in top of Emitter Screen with holes in Emitter Top.

Attach Emitter Screen to Emitter Top with (4) Small Screws.



Step 7 – Attach engine to Post

Remove and Save Control Knob.

Remove and save (3) screws from sides and bottom of Engine Access Panel.

Open Engine Access Panel.

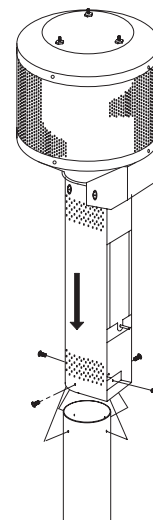
Disconnect wire from Igniter by gently pulling wire.

Remove and save Engine Access Panel.

Align threaded holes in Post with holes in bottom of Engine.

Insert (4) Medium Screws loosely. They will be fully tightened at the end of the next step.

Note: Do not replace Engine Access Panel until Step 13.

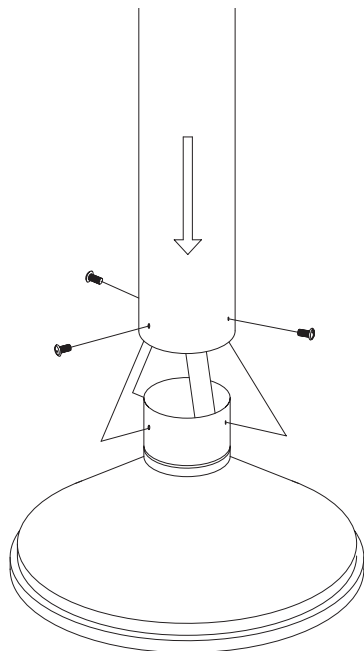


Step 8 – Connect Engine/Post Assembly to Cap

Insert end of Post with (4) holes not threaded over Gas Line

Line up Post holes with threaded Cap holes.

Loosely Secure Post to Cap, using (4) Medium Screws, fully tighten screws in Step 9.



Step 9 – Connect Gas Line to Engine

To attach Gas Line to Control Valve:

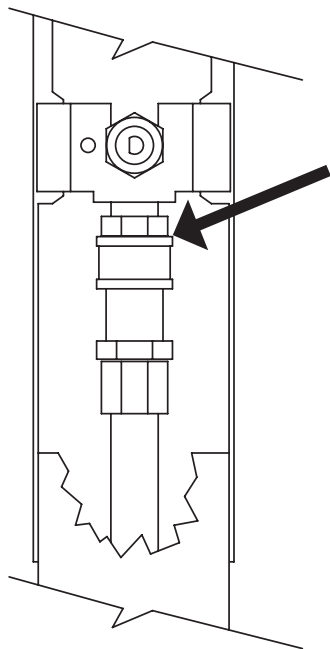
Pull collar of Gas Line down.

Insert Gas Line over Control Valve.

Release Gas Line Collar and it should lock in place. (Tip – push Gas Line up from bottom of Post to make a good seating before releasing Collar.)

Gently tug on line to test for proper connection. If Gas Line moves you are not properly connected. Do not proceed until a proper connection has been made.

After gas line is secure, fully tighten (4) screws from Step 8.



**Contact 1-800-762-1142 for assistance.
Do not return to place of purchase.**

Endless Summer 

Step 10 – Attach Dome to Emitter

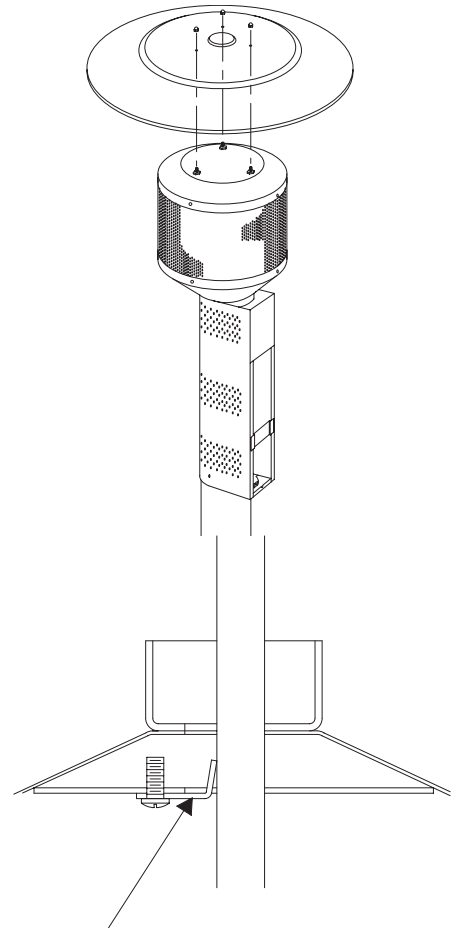
Gently lay heater on its side

Tip: Use styrofoam end to prop up top half of heater.

Align holes in Dome with Emitter Studs.

Secure Dome to Emitter using (3) Cap Nuts.

Leave heater on its side for next step.



Step 11 – Secure Gas Line

Line up hole in Gas Clip with threaded hole in Support Plate.

Attach using (1) Extra Long Screw.

Tighten screw in Gas Line Clip until Gas Line is held securely in place.

Stand heater upright on base.

Caution:

Before you attempt to use a propane cylinder, understand all cylinder and propane related precautions in Section #1 - "Safety First."

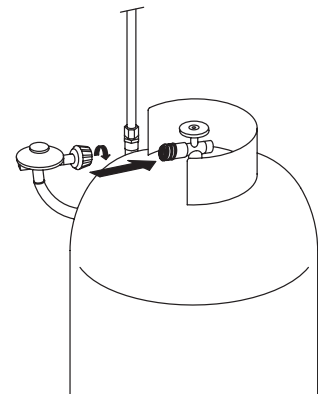
Step 12 – Connect Gas Line to Cylinder

The pressure regulator and hose assembly supplied with the appliance must be used and replacements must be those specified by the manufacturer.

Slide full Propane Cylinder onto Heater Base.

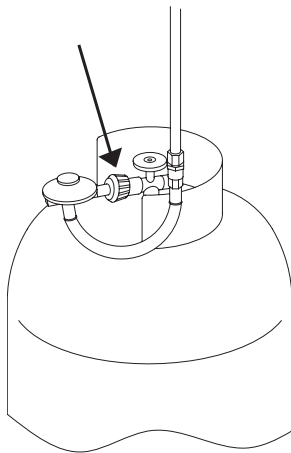
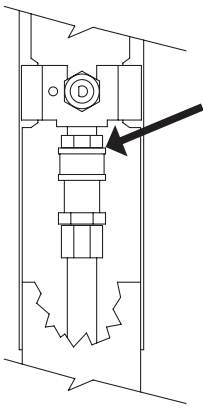
Attach Gas Line to Cylinder by turning black plastic knob clockwise over Cylinder valve until tight.

Note: Be careful not to kink flexible hose of Gas Line.



Caution

Your Endless Summer Portable Heater has been checked at all factory connections for leaks. Recheck all connections, as movement in shipping can loosen connections. Check for leaks even if your unit was assembled for you at the store.



Step 13 – Check for Leaks

Make 2-3 oz. of leak check solution by mixing one part liquid dishwashing soap and three parts water.

Turn cylinder valve ON.

Check Gas Line / Control Valve for leaks:

Spoon several drops of solution onto Gas Line and Control Valve connection.

Inspect the solution at the connection to look for bubbles.

If NO bubbles appear, then the connection is secure.

If bubbles appear, there is a leak -

Turn Cylinder valve OFF.

Loosen screw on Clip.

Release Gas Line fitting from control valve and re-attach making sure connection is secure (see Step 9).

Retighten Clip.

If you continue to see bubbles after several attempts, contact 1-800-762-1142 for assistance.

Check Gas Line / Cylinder valve for leaks:

Turn cylinder valve ON.

Spoon several drops of solution onto Gas Line and Cylinder valve connection.

Inspect the solution at the connection to look for bubbles.

If NO bubbles appear, then the connection is secure.

If bubbles appear, there is a leak:

Turn Cylinder valve OFF.

Release Gas Line fitting from Cylinder valve and re-attach making sure connection is secure (see Step 13).

If you continue to see bubbles after several attempts, contact 1-800-762-1142 for assistance.

Turn Cylinder Valve OFF.

**Contact 1-800-762-1142 for assistance.
Do not return to place of purchase.**

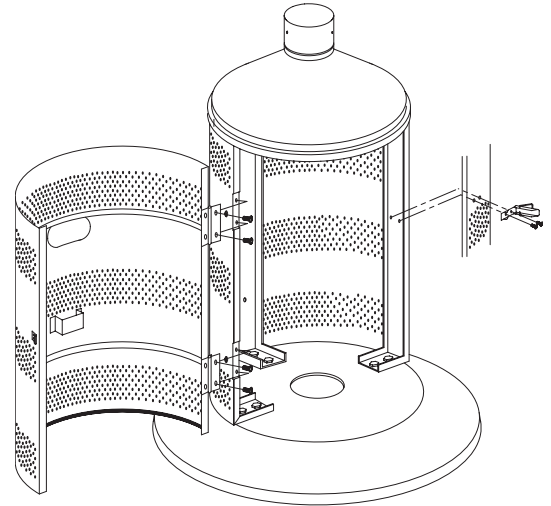
Endless Summer 

Step 14 – Install Cylinder Access Panel

Line up holes on Latch with slots on Cylinder Shroud. Attach with (2) Latch Screws and (2) Latch Nuts.

Line up holes in Access Panel hinges with holes in recessed area of left leg. Attach each hinge with (2) Hinge Screws and (2) Hinge Nuts.

Swing Access Panel closed and slip Latch over panel hook and snap shut.



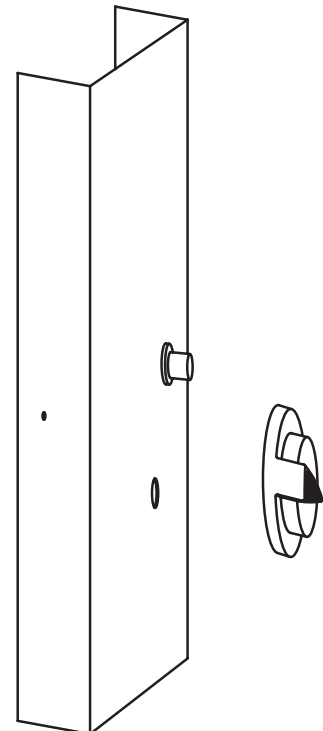
Step 15 – Replace Engine Assembly

Slide Igniter wire onto Igniter post.

Position Engine Access Panel back in place.

Secure Panel in place with 3 screws previously removed from side and bottom holes.

Note: Once you have successfully completed assembly steps 1-15 you are ready to begin operating your heater.





WARNING
FOR YOUR SAFETY

- **Do NOT attempt to operate heater until you have read and understand all precautions in Section 1 “Safety First.” Failure to do so can result in serious personal injury, death, or property damage.**
- **If at any time you are unable to light burner and smell gas, wait 5 minutes to allow gas to dissipate before attempting to light heater.**
- **Do NOT touch emitter or dome or move heater for at least 45 minutes after use.**

Operation

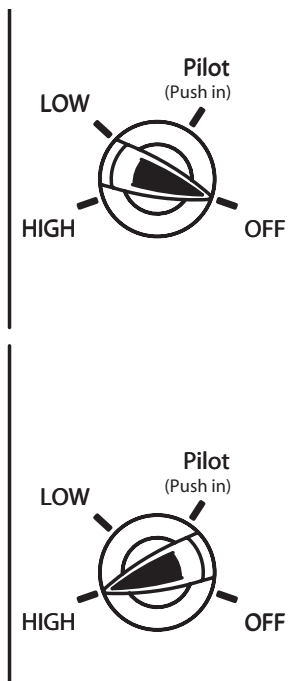
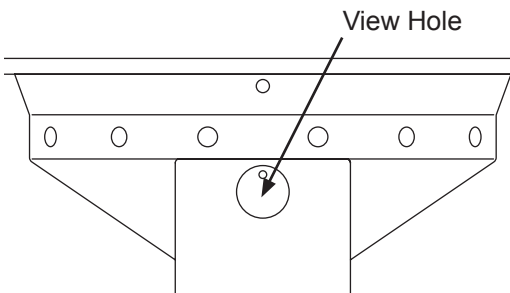
Caution: Do NOT attempt to operate heater until you have read and understand all precautions in section 1 “Safety First.”

Before Turning Gas Supply ON

- Your heater was designed and approved for OUTDOOR USE ONLY. DO NOT use it inside a building, garage, or any other enclosed area.
- Make sure surrounding areas are free of combustible materials, gasoline, and other flammable vapors or liquids.
- Ensure that there is no obstruction to air ventilation.
- Be sure all gas connections are tight and there are no leaks.
- Be sure the access panel is clear of debris.
- Be sure any component removed during assembly or servicing is replaced and fastened prior to starting.

Before Lighting

- Heater should be thoroughly inspected before each use, and by a qualified service person at least annually.
- If relighting a hot heater, always wait at least 5 minutes.
- Inspect the hose assembly for evidence of excessive abrasion, cuts, or wear. Suspected areas should be leak tested. If the hose leaks, it must be replaced prior to operation. Only use the replacement hose assembly specified by manufacturer.



Lighting

Note: This heater is equipped with a Pilot Light that allows for safer startups and shutdowns. Pilot must be lit before Main Burner can be started.

- Turn Cylinder Valve OFF.
- Push Control Knob IN and turn to OFF.
- Wait 5 minutes for any gas to clear.
- Turn Cylinder Valve ON.
- Open Viewing Hole by sliding cover to either side.
- Push Control Knob IN and rotate to Pilot position.
- Note - For initial start or after any cylinder change, hold Control Knob IN for 2 minutes to purge air from gas lines before proceeding.
- Push Igniter button once. Pilot Light flame will appear and be visible through Viewing Hole.
- Release Control Knob after 30 seconds. Pilot Light will remain lit. If not, return to step 1.
- Turn Control Knob to ON. Main Burner will light immediately. Flame is visible through Viewing Hole. If not, return to step 1.

**Contact 1-800-762-1142 for assistance.
Do not return to place of purchase.**

Endless Summer 

- If for some reason your ignitor fails to deliver a spark, your heater can be started by inserting a lit match through the pilot view hole while pushing the control knob in while in the PILOT position.

If you experience any ignition problem consult “Troubleshooting” on page 16.

Caution: Avoid inhaling fumes emitted from the heater’s first use. Smoke and odor from the burning of oils used in manufacturing will appear. Both smoke and odor will dissipate after approximately 30 minutes. The heater should NOT produce thick black smoke.

Note: The burner may be noisy when initially turned on. To eliminate excessive noise from the burner, turn the Control Knob to the Pilot position. Then, turn the knob to the level of heat desired.

When heater is ON:

Emitter screen will become bright red due to intense heat. The color is more visible at night.

Burner will display tongues of blue and yellow flame. These flames should not be yellow or produce thick black smoke, indicating an obstruction of airflow through the burners. The flame should be blue with straight yellow tops.

If excessive yellow flame is detected, turn off heater and consult “Troubleshooting” on page 16.

Re-lighting

Note: For your safety, Control Knob cannot be turned OFF without first depressing Control Knob in PILOT position and then rotating it to OFF.

Turn Control Knob to OFF.

Wait at least 5 minutes, to let gas dissipate, before attempting to relight Pilot.

Repeat the “Lighting” steps on prior page.

Shut Down

Turn Control Knob clockwise to Pilot. (Normally, burner will make a slight popping sound when extinguished.) Burner will extinguish but Pilot will remain ON.

To extinguish Pilot, depress Control Knob and continue to turn it clockwise to OFF.

Turn Cylinder Valve clockwise to OFF and disconnect Regulator when heater is not in use.

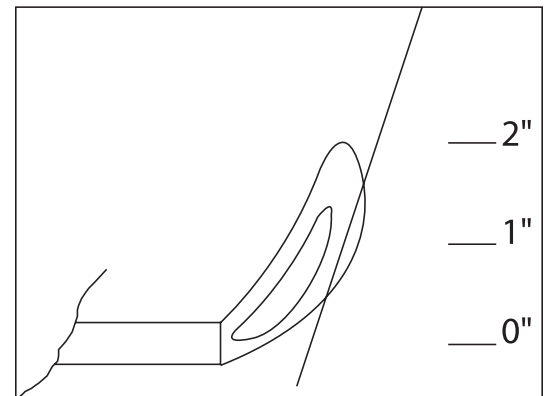
Note: After use, some discoloration of the emitter screen is normal.



WARNING

FOR YOUR SAFETY

Be careful when attempting to manually ignite this heater. Holding in the control knob for more than 10 seconds before igniting the gas will cause a ball of flame upon ignition.



WARNING

FOR YOUR SAFETY

Heater will be hot after use. Handle with extreme care.

Operation Checklist

For a safe and pleasurable heating experience, perform this check before each use.

Before Operating

- I am familiar with entire owner's manual and understand all precautions noted in "Safety First".
- All components are properly assembled, intact and operable.
- No alterations have been made.
- All gas connections are secure and do not leak.
- Wind velocity is below 10 mph.
- Outdoor temperature is greater than 40 degrees F.
- Heater is outdoors (outside any enclosure).
- There is adequate fresh air ventilation.
- Heater is away from gasoline or other flammable liquids or vapors.
- Heater is away from windows, air intake openings, sprinklers and other water sources.
- Heater is at least 36" from combustible materials.
- Heater is on a hard and level surface.
- There are no signs of spider or insect nests.
- All burner passages are clear.
- All air circulation passages are clear.
- Children, pets, clothing, flammable materials and items that can be damaged from radiant heat are away from the heater.
- Children and adults in the area have been alerted to the high temperature hazards: especially burns and clothing fires.
- Children and adults in the area have been warned not to touch heater near engine during operation and until unit has cooled.

After Operation

- Gas control is in OFF position.
- Gas tank valve is OFF
- Disconnect Gas line.
- Heater is upright in a secure location.

**Contact 1-800-762-1142 for assistance.
Do not return to place of purchase.**



Troubleshooting

<u>If the problem is:</u>	<u>And this condition exists:</u>	<u>Then do this</u>
Pilot won't light <i>Note: Heater operates at reduced efficiency below 40°F (5°C).</i>	Cylinder valve is closed	Open valve
	Blockage in orifice or pilot tube	Clean or replace orifice or pilot tube
	Air in gas line	Open gas line and bleed it (pressing control knob in) for not more than 1 - 2 minutes or until you smell gas
	Low gas pressure with cylinder valve fully open	Turn cylinder valve OFF and replace cylinder
	Igniter fails	Use match to light pilot; obtain new igniter and replace
Pilot won't stay lit	Dirt built up around pilot	Clean dirt from around pilot
	Connection between gas valve and pilot assembly is loose	Tighten connection and perform leak check
	Thermocouple is not operating correctly	Replace thermocouple
Burner won't light	Gas pressure is low	Turn cylinder valve OFF and replace cylinder
	Blockage in orifice	Clear blockage
	Control knob is not in ON position	Turn control knob to ON
Burner flame is low	Gas pressure is low	Turn cylinder valve OFF and replace cylinder
	Outdoor temperature is less than 40°F and tank is less than 1/4 full	Use a full cylinder
	Supply hose is bent or kinked	Straighten hose
	Control knob fully ON	Check burner and orifices for blockage
Emitter glows uneven <i>Note: Bottom 1" of emitter normally does NOT glow.</i>	Gas pressure is low	Turn cylinder valve OFF and replace cylinder
	Base is not on a level surface	Place heater on a level surface
	Heater is level	Clean burner
Carbon build-up	Dirt or film on reflector and emitter	Clean reflector and emitter
Thick black smoke	Blockage in burner	Remove blockage and clean burner inside and outside



WARNING
FOR YOUR SAFETY

- **Do NOT touch or move heater for at least 45 minutes after use.**
- **Dome is hot to the touch.**
- **Allow dome to cool before touching.**

Maintenance

To enjoy years of outstanding performance from your heater, make sure you perform the following maintenance activities on a regular basis:

Keep exterior surfaces clean.

Use warm soapy water for cleaning. Never use flammable or corrosive cleaning agents.

While cleaning your unit, be sure to keep the area around the burner and pilot assembly dry at all times. Do not submerge the control valve assembly. If the gas control is submerged in water, do NOT use it. It must be replaced.

Air flow must be unobstructed. Keep controls, burner, and circulating air passageways clean. Signs of possible blockage include:

Gas odor with extreme yellow tipping of flame.

Heater does NOT reach the desired temperature.

Heater glow is excessively uneven.

Heater makes popping noises.

Spiders and insects can nest in burner or orifices. This dangerous condition can damage heater and render it unsafe for use. Clean burner holes by using a heavy-duty pipe cleaner. Compressed air may help clear away smaller particles.

Carbon deposits may create a fire hazard. Clean dome and emitter with warm soapy water if any carbon deposits develop.

Note: In a salt-air environment (such as near an ocean), corrosion occurs more quickly than normal. Frequently check for corroded areas and repair them promptly.

TIP:

Use high-quality automobile wax to help maintain the appearance of your heater. Apply to exterior surfaces from the pole down. Do not apply to emitter screen or domes.

**Contact 1-800-762-1142 for assistance.
Do not return to place of purchase.**

Endless Summer 

Storage

Between uses:

Turn Control Knob OFF.

Disconnect LP source.

Store heater upright in an area sheltered from direct contact with inclement weather (such as rain, sleet, hail, snow, dust and debris).

If desired, cover heater to protect exterior surfaces and to help prevent build up in air passages.

Note: Wait until heater is cool before covering.

During periods of extended inactivity or when transporting:

Turn Control Knob OFF.

Disconnect LP source and move to a secure, well-ventilated location outdoors.

Store heater upright in an area sheltered from direct contact with inclement weather (such as rain, sleet, hail, snow, dust and debris).

If desired, cover heater to protect exterior surfaces and to help prevent build up in air passages.

Never leave LP cannister exposed to direct sunlight or excessive heat.

Note: Wait until heater is cool before covering.

Service

To learn how to service and procure parts for worn out, defective or damaged components contact 1-800-762-1142 for assistance or e-mail CustomerService@BlueRhino.com. Please supply model number and serial ID number for best service support. These numbers can be found on a label on the rear of the Valve Housing.

Caution: Use only original equipment replacement parts. Use of unauthorized parts or modification of parts will void warranty and create an unsafe condition.

Caution: Always allow heater to cool before attempting service.

Limited Warranty

Blue Rhino Global Sourcing, LLC (“Vendor”) warrants to the original retail purchaser of this heater, and to no other person, that if this heater is assembled and operated in accordance with the printed instructions accompanying it, then for a period of two (2) years from the date of purchase, all parts in such heater shall be free from defects in material and workmanship. Vendor may require reasonable proof of your date of purchase from an authorized retailer or distributor. Therefore, you should retain your sales slip or invoice. This Limited Warranty shall be limited to the repair or replacement of parts, which prove defective under normal use and service and which Vendor shall determine in its reasonable discretion upon examination to be defective. Before returning any parts, you should contact Vendor’s Customer Service Department using the contact information listed below. If Vendor confirms, after examination, a defect covered by this Limited Warranty in any returned part, and if Vendor approves the claim, Vendor will replace such defective part without charge. If you return defective parts, transportation charges must be prepaid by you. Vendor will return replacement parts to the original retail purchaser, freight or postage prepaid.

This Limited Warranty does not cover any failures or operating difficulties due to accident, abuse, misuse, alteration, misapplication, improper installation or improper maintenance or service by you or any third party, failure to perform normal and routine maintenance on the heater, shipping damage, normal adjustment to burner, damage or repairs related to insects, birds, or animals of any kind, and damage due to weather conditions as set out in this owner’s manual. In addition, the Limited Warranty does not cover damage to the finish, such as scratches, dents, discoloration, rust or other weather damage, after purchase.

This Limited Warranty is in lieu of all other express warranties. Vendor disclaims all warranties for products that are purchased from sellers other than authorized retailers or distributors. AFTER THE PERIOD OF THE TWO (2)-YEARS EXPRESS WARRANTY, VENDOR DISCLAIMS ANY AND ALL IMPLIED WARRANTIES, INCLUDING WITHOUT LIMITATION THE IMPLIED WARRANTIES OF MERCHANTABILITY AND FITNESS FOR A PARTICULAR PURPOSE. FURTHER, VENDOR SHALL HAVE NO LIABILITY WHATSOEVER TO PURCHASER OR ANY THIRD PARTY FOR ANY SPECIAL, INDIRECT, PUNITIVE, INCIDENTAL, OR CONSEQUENTIAL DAMAGES. Vendor assumes no responsibility for any defects caused by third parties. This Limited Warranty gives the purchaser specific legal rights; a purchaser may have other rights depending upon where he or she lives. Some jurisdictions do not allow the exclusion or limitation of special, incidental or consequential damages, or limitations on how long a warranty lasts, so the above exclusion and limitations may not apply to you.

Vendor does not authorize any person or company to assume for it any other obligation or liability in connection with the sale, installation, use, removal, return, or replacement of its equipment, and no such representations are binding on Vendor.

Blue Rhino Global Sourcing, LLC
104 Cambridge Plaza Drive
Winston-Salem, North Carolina 27104 USA
(800) 762-1142
24 Hour Fax: (336) 659-6743
CustomerService@BlueRhino.com

**Contact 1-800-762-1142 for assistance.
Do not return to place of purchase.**

Endless Summer 

Specifications

Certifications:

CSA International Requirement 5.90
Canadian National Standard CAN1-2.23-M82

Rating:

Maximum 40,000 BTU/hr. input

Heat Range:

Up to 20 foot diameter

Fuel:

Liquid Propane Gas (LP)

Cylinder Size:

Nominal 20 lb / 5 Gallon

Inlet gas supply pressure:

Maximum – 150 PSI
Minimum – 5 PSI

Manifold Pressure:

11.00 in. W.C.

Engine:

IPP E8

Safety Features:

100% Burner shut-off
Tilt Switch

Manufacturer:

Blue Rhino Global Sourcing, LLC

Made In:

China



AVERTISSEMENT

POUR VOTRE SECURITE:

*À utiliser uniquement à l'extérieur
(hors de tout abri clos)*



AVERTISSEMENT

POUR VOTRE SECURITE:

En cas d'odeur de gaz -

- 1. Fermez le robinet de gaz alimentant l'appareil.*
- 2. Éteignez toute flamme.*
- 3. Si l'odeur persiste, contactez votre fournisseur de gaz ou les pompiers.*



AVERTISSEMENT

POUR VOTRE SECURITE:

- 1. Toute fuite de gaz risque de provoquer un incendie ou une explosion et entraîner des dégâts matériels, des blessures graves voire mortelles.*
- 2. Respectez toutes les consignes de l'étape 13 avant d'utiliser l'appareil.*
- 3. Ne jamais utiliser de flamme nue afin de détecter une fuite.*



AVERTISSEMENT

POUR VOTRE SECURITE:

Ne pas utiliser ni stocker d'essence ou de liquides et autres vapeurs inflammables à proximité de cet appareil ou de tout autre appareil.



AVERTISSEMENT

POUR VOTRE SECURITE:

Toute installation défectueuse ou modification incorrecte ainsi que tout mauvais réglage ou entretien incorrect risque d'entraîner des blessures ou des dégâts matériels. Lire complètement les instructions d'installation, d'utilisation et d'entretien avant de monter l'appareil ou de procéder à son entretien.



AVERTISSEMENT

Proposition 65 de Californie:

L'État de la Californie reconnaît que la combustion du propane produit des émanations et des résidus chimiques qui provoquent le cancer, des malformations congénitales et sont nocifs pour le système reproductif.



AVERTISSEMENT

POUR VOTRE SECURITE:

- L'acheteur assume tous les risques lors de l'assemblage et de l'utilisation de cet appareil. Le non-respect des instructions et des consignes de sécurité de ce manuel risque de provoquer des blessures graves voire mortelles ou des dégâts matériels.*
- Ne pas utiliser l'appareil dans une atmosphère explosive. Conservez l'appareil à l'écart de toute zone où des liquides inflammables ou de l'essence sont remisés ou stockés et où des vapeurs ou émanations explosives sont présentes.*

Table des matières

La Sécurité avant tout!	3
Instructions de montage	
Pièces et quincaillerie	5
Pièces et caractéristiques générales	6
Accessoires supplémentaires	6
Étape 1 Fixer les jambes au socle	6
Étape 2 Fixer le dispositif protecteur de la bonbonne aux jambes	7
Étape 3 Fixer la coupelle, la plaque et l'anneau au chapeau de carénage	7
Étape 4 Fixer le chapeau aux jambes / Introduire la conduite de gaz	7
Étape 5 Assembler la partie supérieure de l'émetteur	8
Étape 6 Assembler l'émetteur	8
Étape 7 Fixer le moteur au pôle	8
Étape 8 Raccorder l'ensemble moteur/pôle au chapeau de carénage	9
Étape 9 Raccorder la conduite de gaz au moteur	9
Étape 10 Fixer le dôme à l'émetteur	10
Étape 11 Raccorder la conduite de gaz	10
Étape 12 Raccorder la conduite de gaz à la bonbonne	10
Étape 13 Rechercher une fuite potentielle	11
Étape 14 Installer le panneau d'accès de la bonbonne	12
Étape 15 Replacer le panneau d'accès du moteur	12
Fonctionnement	
Avant d'amorcer l'alimentation de gaz (ON)	13
Avant d'allumer	13
Allumer Rallumer	14
Éteindre Liste de vérifications à effectuer avant toute utilisation	15
Guide de dépannage	16
Entretien	17
Rangement	18
Service après-vente	18
Garantie	19
Caractéristiques techniques	20



L'utilisation et l'installation de ce produit doivent se conformer aux codes locaux. En l'absence des codes locaux, employez le code national de carburant et de gaz, la norme ANSI Z223.1/NFPA 54, le stockage et la manipulation des gaz de pétrole liquifiés, ANSI/NFPA 58 ou CSA B149.1, gaz naturel et code d'installation de propane.

Conserve estas instrucciones para futuras consultas. Si está montando esta unidad para otra persona, entréguele este manual para futuras consultas.



Avant de faire quoi que ce soit, veuillez lire et comprendre toutes les consignes de la section "La sécurité avant tout!"



AVERTISSEMENT

POUR VOTRE SECURITE:

- **L'acheteur assume tous les risques lors de l'assemblage et de l'utilisation de cet appareil. Le non-respect des instructions et des consignes de sécurité de ce manuel risque de provoquer des blessures graves voir la mort ou des dégâts matériels.**
- **Ne pas utiliser l'appareil dans une atmosphère explosive. Conservez l'appareil à l'écart de toute zone où des liquides inflammables ou de l'essence sont remisés ou stockés et où des vapeurs ou émanations explosives sont présentes.**

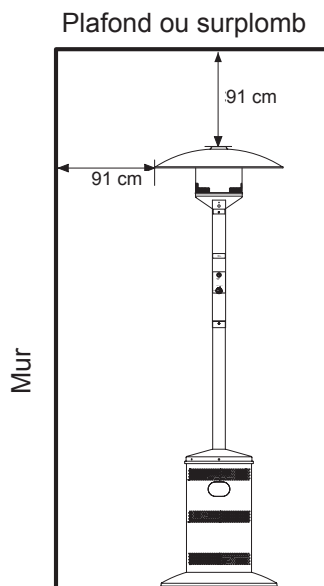
La sécurité avant tout!

Lisez et familiarisez-vous avec ce manuel et surtout les précautions suivantes.

Si vous avez des questions concernant ces instructions, ARRÊTEZ et composez le 1-800-762-1142 pour toute assistance.

Attention: cet appareil est sensé être utilisé à l'extérieur uniquement (hors de tout abri). Assurez-vous qu'il y ait toujours suffisamment d'air pour la ventilation de l'appareil.

- Veillez à ce qu'il y ait toujours un espace d'au moins 91 cm au-dessus et de 91 cm sur les côtés entre l'appareil et toute matière combustible.
 - Veillez à ce que l'appareil soit toujours placé sur une surface dure et plane.
 - N'utilisez pas l'appareil si la vitesse du vent dépasse 16 km/h.
 - Si la température descend en dessous de 40°F (5°C), l'appareil fonctionnera à un rendement moindre.
 - Conservez les arroseurs automatiques et autres sources d'eau à l'écart des brûleurs et des commandes.
 - **Faites preuve d'une extrême précaution lorsque vous êtes à proximité de l'appareil. Indiquez aux enfants et aux adultes les dangers existants en raison des hautes températures afin d'éviter qu'ils ne se brûlent ou que leurs vêtements ne prennent feu.**
 - **Ne laissez jamais les enfants et les animaux domestiques sans surveillance lorsque ces derniers sont à proximité de l'appareil.**
 - **Ne pendez pas de vêtements ou d'autres matières inflammables sur l'appareil ou à proximité de ce dernier.**
 - **Tout cache ou dispositif de protection ayant été retiré afin de procéder à une réparation ou à l'entretien de l'appareil, doit être remis en place avant de mettre en marche l'appareil.**
 - Certains matériaux ou articles risquent d'être sérieusement endommagés en raison de la chaleur rayonnante si ces derniers sont placés sous l'appareil.
 - Ne modifiez en aucune façon l'appareil.
 - Utilisez uniquement le régulateur de pression et les tuyaux fournis avec l'appareil. De plus, les pièces et accessoires de rechange utilisés doivent être ceux spécifiés par le fabricant.
 - Vérifiez l'appareil avant toute utilisation. Si vous détectez une pièce endommagée, n'utilisez pas l'appareil avant d'installer une pièce d'origine. L'utilisation de toute pièce non approuvée par le fabricant annulera la garantie et présentera un danger.
 - Ne tentez pas d'utiliser l'appareil sans un régulateur de gaz en état de fonctionnement et ayant été monté à l'usine. Si le régulateur s'avère endommagé, utilisez uniquement un régulateur de rechange fourni par l'usine.
 - Ne touchez pas les pièces du brûleur lorsque l'appareil fonctionne. La surface de l'émetteur de chaleur peut atteindre 1600°F (870°C).
 - Après avoir éteint l'appareil, ne touchez pas le brûleur jusqu'à ce que l'appareil se soit refroidi (attendre environ 45 minutes).
- Avis:** cet appareil ne doit pas être utilisé avec un carburant autre que du propane liquide. Le non-respect de cette consigne nuira au rendement de l'appareil et annulera la garantie.



**Pour toute assistance appeler le 1-800-762-1142
Ne pas retourner cet appareil au point de vente.**

Endless Summer 

Attention: le propane liquide (LP) est un gaz inflammable et dangereux si ce dernier n'est pas manipulé correctement. Soyez conscient des dangers avant d'utiliser tout appareil fonctionnant au propane.

- Caractéristiques du propane: le propane est un gaz inflammable qui risque d'exploser sous pression. C'est un gaz plus lourd que l'air présent en gisements dans les régions basses.
- À l'état naturel, le propane est inodore. Pour votre sécurité, un odorisant ayant l'odeur de choux avariés a été ajouté.
- Tout contact avec la peau risque d'entraîner des brûlures.
- Cet appareil est expédié de l'usine afin d'être utilisé avec du propane uniquement.
- Utilisez uniquement des bonbonnes de gaz de 20 lbs (9 kg) homologuées par le DOT (Ministère des Transports) (il s'agit des mêmes bouteilles que celles utilisées pour les grils à gaz) avec soupape de sécurité QCC Acme/ Type 1. Ces valves sont faciles à identifier car elles possèdent un filetage interne et externe.
- N'utilisez jamais une bonbonne de propane si le corps, la commande, le col ou le socle est endommagé.
- Toute bonbonne de propane bosselée ou rouillée présente un risque et devrait être vérifiée par votre fournisseur de bouteilles de gaz.
- Le système d'alimentation de la bonbonne de gaz doit être homologué pour l'extraction des vapeurs de gaz.
- La bonbonne doit posséder un col assurant la protection de la valve.
- Lorsque vous n'utilisez pas l'appareil, fermez la commande de gaz de la bonbonne (OFF).
- Veillez à toujours effectuer un test afin de rechercher toute fuite potentielle au niveau des raccords de gaz. N'utilisez jamais de flamme nue afin de rechercher une fuite. Ne fumez jamais lorsque vous effectuez le test.
- **Attention: il est primordial que le compartiment de la valve de l'appareil, les brûleurs et les passages par où l'air circule demeurent propres.**
- Les araignées et les insectes risquent de provoquer des conditions dangereuses et de nuire au bon fonctionnement de l'appareil. Veillez à ce que la zone du brûleur demeure propre et sans toiles d'araignées ou insectes.
- Vérifiez l'appareil avant chaque utilisation.
- **Faites en sorte qu'un réparateur agréé inspecte l'appareil une fois par an.**
- Vérifiez immédiatement l'appareil dans les cas suivants:
- Vous sentez une odeur de gaz et les crêtes des flammes sont extrêmement jaunes.
- L'appareil n'atteint pas la température adéquate. Remarque: l'appareil fonctionnera à un rendement moindre à une température extérieure inférieure à 40°F (5°C).
- La lueur de chauffage n'est pas du tout uniforme.
- Le brûleur fait du bruit lorsqu'il fonctionne. Remarque: il est normal que le brûleur émette un léger bruit lors de son extinction.
- Des résidus de carbone risquent de provoquer un incendie. Veillez à ce que le dôme et l'émetteur demeurent toujours propres.
- Ne nettoyez pas l'appareil avec un nettoyant combustible ou corrosif. Utilisez de l'eau tiède savonneuse.
- Ne peignez pas le moteur, le panneau d'accès au moteur ni le dôme.

Bonbonne de gaz de 9 kg



POUR VOTRE SÉCURITÉ:

Attention aux araignées

Les araignées et autres insectes peuvent s'introduire dans la tubulure du brûleur et les autres orifices de l'appareil et pendre leurs toiles et y fabriquer leurs nids. Ces obstacles risquent de provoquer des problèmes au niveau de l'alimentation du gaz.

Vérifiez fréquemment ces endroits et nettoyez-les si nécessaire.

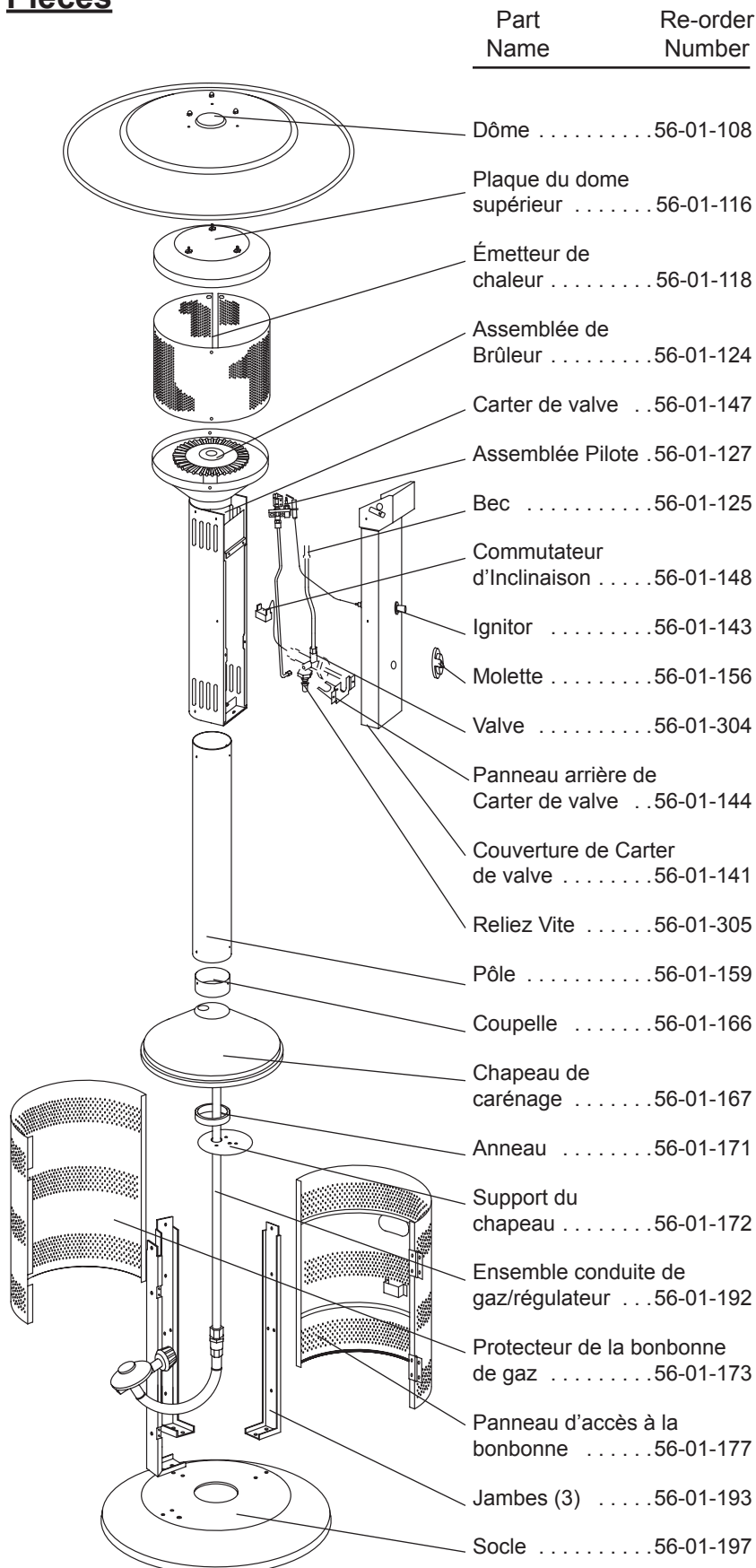
Avant d'utiliser l'appareil pour la première fois, vérifiez qu'aucun obstacle de ce genre n'est apparu lors du transport.

Vous avez besoin d'une bonbonne de gaz?

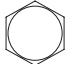
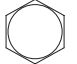













Essayez le service de bonbonnes de rechange Blue Rhino. C'est un service facile, rapide, sans danger et présent dans des dizaines de milliers de points de vente partout dans le pays. Achetez une bonbonne neuve ou échangez votre bonbonne vide contre une bonbonne déjà remplie.

Pour le point de vente le plus proche consultez www.bluerhino.com.

Pièces



Quincaillerie

Dessin	Qté	Description	Utilisé à l'étape(s)
	9	Grand boulon 56-01-200	1 & 3
	3	Petit boulon 56-01-201	5
	1	Vis extra grande 56-01-202	11
	17	Vis taille moyenne 2, 4, 7 & 8 56-01-203	
	10	Petite vis 56-01-204	6
	9	Rondelle de blocage 56-01-206	1 & 5
	9	Grand écrou 56-01-209	1 & 5
	3	Écrou borgne 56-01-210	10
	2	Petit écrou 56-01-211	6
	1	Bride de serrage 56-01-214	11
	1	Verrou 56-01-216	14
	2	Vis du verrou 56-01-217	14
	2	Écrou du verrou 56-01-218	14
	4	Vis de charnière 56-01-219	14
	4	Écrou de charnière 56-01-220	14

Instructions de montage

Pièces et caractéristiques générales

Familiarisez-vous avec toutes les pièces avant de commencer. Reportez-vous à la page 5 pour les pièces et articles de quincaillerie et à la page 20 pour les caractéristiques techniques de l'appareil.

NE PAS tenter de monter l'appareil si vous n'avez pas toutes les pièces. Si vous pensez que des pièces sont manquantes ou endommagées, appelez le 1-800-762-1142.

Remarque: toutes les pièces de quincaillerie sont fournies fixées au dos d'une fiche de carton et numérotées afin de les faire correspondre aux diverses étapes du montage.

Accessoires Supplémentaires

Les articles suivants ne sont pas inclus mais nécessaires pour obtenir un assemblage adéquat de votre radiateur. Ne procédez PAS à l'assemblage, sans avoir sous la main les outils appropriés.

- (1) Clé 7/16" (11 mm)
- (1) Clé à douille 7/16" (11 mm)
- (1) Tournevis à tête Phillips # 2
- (1) Solution de détection de fuites (Les instructions pour préparer la solution sont incluses dans l'étape 13).
- (1) Bonbonne de gaz propane pour B.B.Q. remplie avec précision et munie d'une connexion pour valve Acme Type 1 à filetage externe (15.2 - 19 l / 4-5 gal.).)

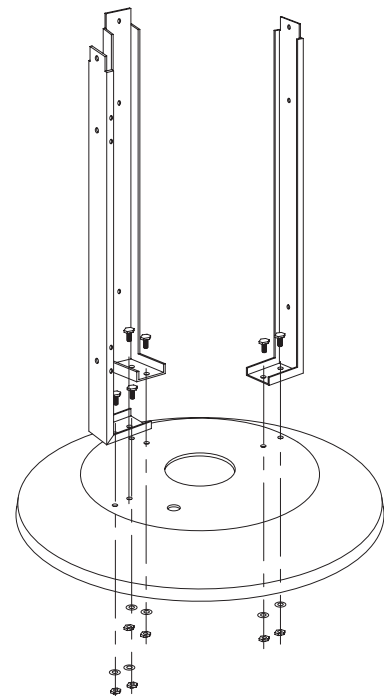
Remarque: vous devez suivre toutes les étapes pour assembler correctement l'appareil.

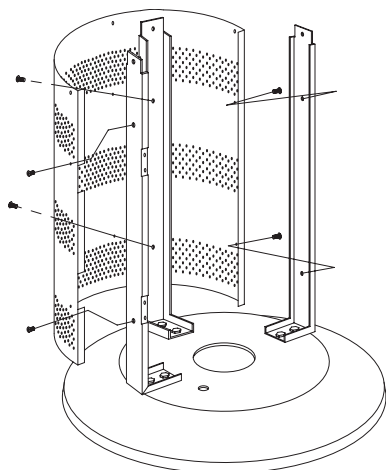
Étape 1 – Fixer les jambes au socle

Remarque: fixez la jambe munie d'encoches pour charnières comme illustré à gauche.

Fixez chacune des jambes au socle, à l'aide de (2) grands boulons, (2) grandes rondelles de blocage et (2) grands écrous par jambe. Resserrez à la main seulement.

Assurez-vous de ne pas resserrer ces pièces avant l'étape 2.





Étape 2 – Fixer le dispositif protecteur de la bonbonne aux jambes

Alignez les rainures de la plaque de protection de la bonbonne aux encoches de la jambe gauche en vous reportant à l'illustration.

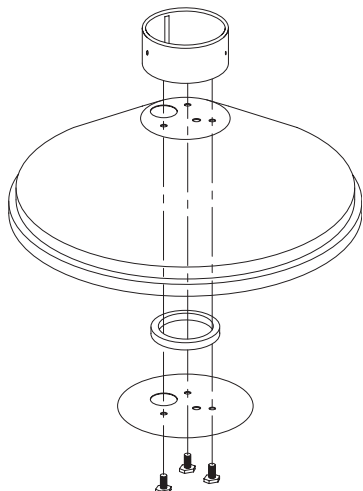
Alignez les orifices situés dans le centre du dispositif protecteur aux orifices de la jambe centrale. Fixez le carénage de la bonbonne à la jambe centrale, à l'aide de (2) vis moyennes.

Fixez le dispositif protecteur de la bonbonne aux jambes extérieures, à l'aide de (2) vis moyennes sur chaque jambe.

Resserrez les écrous et les boulons de l'étape 1.

CONSEIL:

Pour resserrer, utilisez une clé de 7/16" (11 mm) sur le boulon et une clé à douille de 7/16" (11 mm) sur l'écrou.



Étape 3 – Fixer la coupelle, la plaque et l'anneau au chapeau de carénage

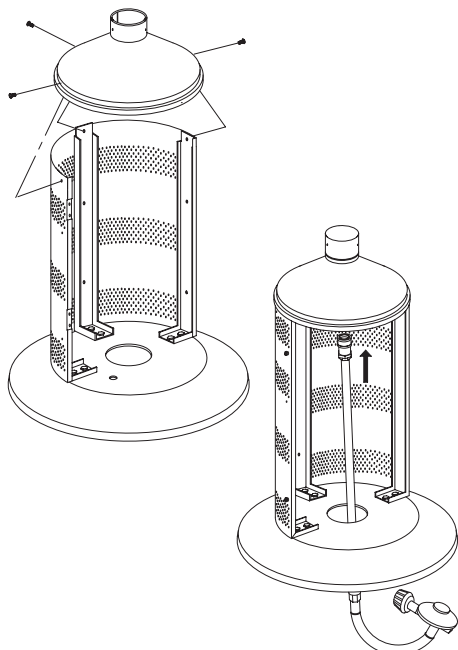
Placez l'anneau d'espacement sur la plaque de support, de façon à ce que les orifices puissent être installés à l'intérieur de l'anneau.

Alignez les 3 petits orifices non filetés de la plaque aux orifices correspondants du chapeau.

Alignez ces orifices aux trois orifices filetés du carénage.

Insérez (1) grand boulon et resserrez-le légèrement.

Répétez pour les (2) autres grands boulons et par la suite, resserrez-les fermement.



Étape 4 – Fixer le chapeau de carénage aux jambes / Introduire la conduite de gaz

Alignez 3 orifices du chapeau de carénage aux orifices situés dans la partie supérieure du dispositif protecteur et des jambes.

Insérez et resserrez (1) vis moyenne dans la jambe centrale.

Insérez et resserrez (1) vis moyenne dans chacune des jambes extérieures.

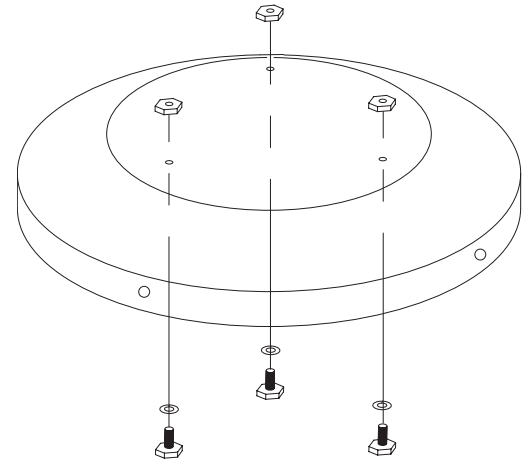
Inclinez le socle sur son rebord et glissez la conduite de gaz vers le haut à travers le grand orifice dans le socle et ensuite par le chapeau de carénage.

Étape 5 – Assembler la partie supérieure de l'émetteur

Glissez (1) petit boulon et introduisez-le à travers l'orifice de la partie supérieure de l'émetteur, à partir de l'intérieur.

Glissez (1) rondelle de blocage par-dessus le boulon et insérez (1) grand écrou jusqu'au fond et serrez-le.

Répétez l'opération pour les deux autres orifices.



Étape 6 – Assembler l'émetteur

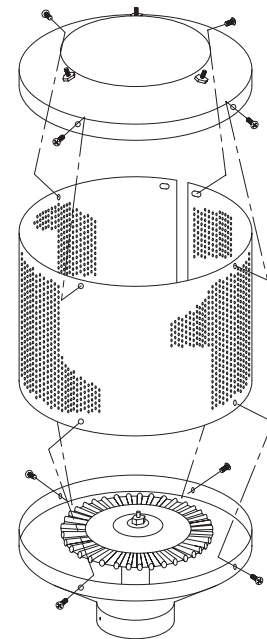
Enroulez la grille de l'émetteur afin d'en faire un cercle. Faites en sorte que les bouts se chevauchent et alignez les trous. Fixez la grille en utilisant (2) petites vis et (2) petits écrous.

Alignez les trous du bas de la grille de l'émetteur avec les trous du moteur.

Fixez la grille de l'émetteur au moteur en utilisant (4) petites vis.

Alignez les trous du haut de la grille de l'émetteur avec les trous de la partie supérieure de l'émetteur.

Fixez la grille à la partie supérieure de l'émetteur en utilisant (4) petites vis.



Étape 7 - Fixer le moteur au pôle

Retirez et conservez le bouton de contrôle.

Retirez et conservez les (3) vis, situées sur les côtés et la partie inférieure du panneau d'accès du moteur.

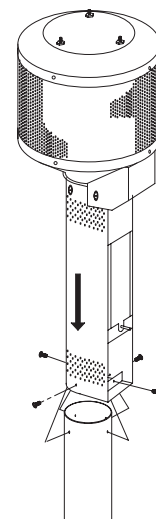
Déconnectez le fil d'amorçage, en le tirant légèrement.

Retirez et réservez le panneau d'accès du moteur.

Alignez les orifices du pôle, aux orifices situés à la partie inférieure du moteur.

Insérez (4) vis moyennes sans les resserrer. Elles devront être resserrées complètement à la fin de la prochaine étape.

Remarque: ne pas replacer le panneau d'accès du moteur, avant l'étape 13.

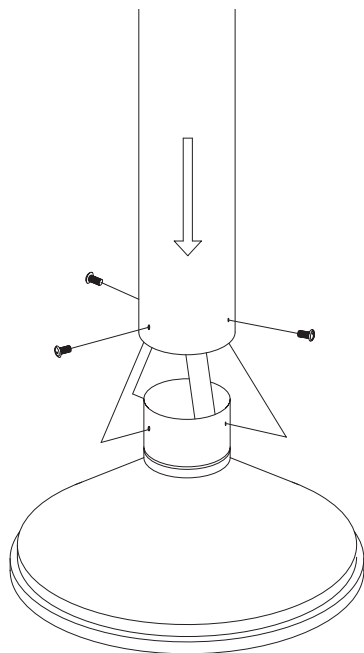


Étape 8 - Raccorder l'ensemble moteur/pôle au chapeau de carénage

Insérez l'extrémité du pôle possédant (4) orifices non filetés, par-dessus la conduite de gaz.

Alignez les orifices du montant aux orifices filetés du capuchon.

Fixez légèrement le montant au chapeau à l'aide de (4) vis de taille moyenne. Serrez ces vis complètement lors de l'étape 9.

**Étape 9 – Raccorder la conduite de gaz au moteur**

Raccordez la conduite de gaz à la valve de commande.

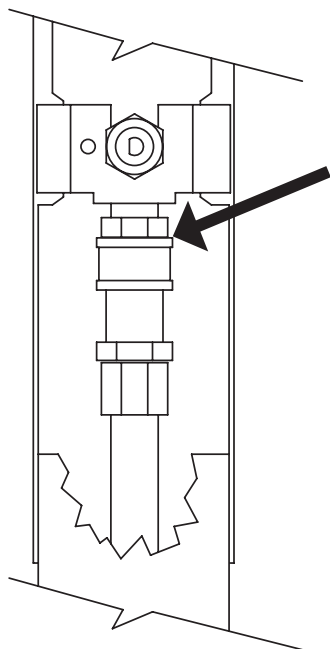
Tirez sur le col de la conduite de gaz.

Introduisez la conduite de gaz par-dessus la valve de commande

Relâchez le col et il devrait se bloquer en place. (Conseil: poussez vers le haut sur la conduite de gaz à partir du bas du montant afin que l'appui soit adéquat lorsque vous relâchez le col.)

Tirez doucement sur la conduite afin de vérifier que le raccord a été effectué correctement. Si la conduite de gaz bouge, le raccord a mal été effectué. Recommencez l'opération jusqu'à ce que le raccord soit parfait.

Après avoir raccordé la conduite de gaz, serrez complètement les (4) vis de l'étape 8.



Étape 10 - Fixer le dôme à l'émetteur

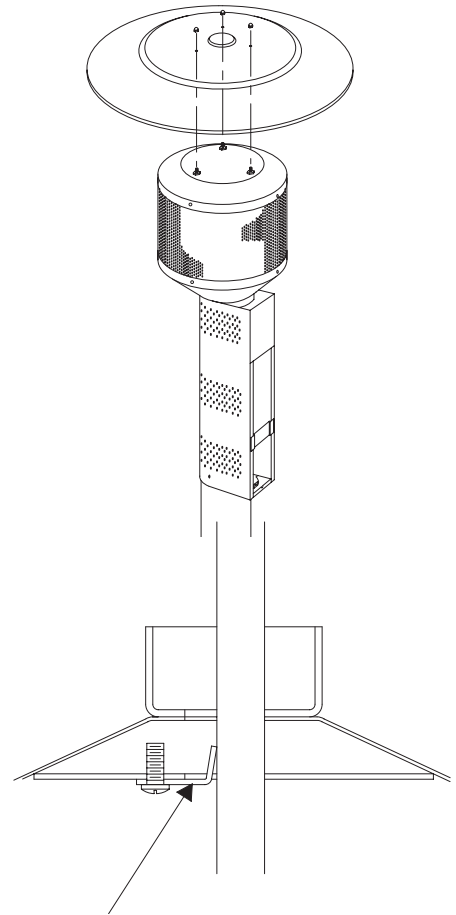
Placez doucement l'appareil sur le côté.

Conseil: placez l'appareil afin qu'il repose sur le côté en utilisant un morceau de l'emballage en mousse de polystyrène afin de surélever la partie supérieure.

Alignez les orifices du dôme aux tiges filetées de l'émetteur.

Fixez le dôme à l'émetteur, à l'aide de (3) écrous borgnes.

Maintenez l'appareil sur le côté, pour la prochaine étape.



Étape 11 - Fixer la conduite de gaz

Alignez l'orifice de la bride de serrage destiné à la conduite de gaz à l'orifice fileté de la plaque de support.

Fixez l'ensemble sans resserrer en utilisant (1) vis extra longue

Resserrez la vis de la bride de la conduite de gaz jusqu'à ce que la conduite de gaz soit fixée solidement en place.

Remplacez l'appareil en position verticale sur le socle.

Attention:

Avant d'utiliser une bonbonne de propane, veuillez lire et comprendre toutes les consignes de sécurité relatives au propane de la section 1 - "La Sécurité avant tout."

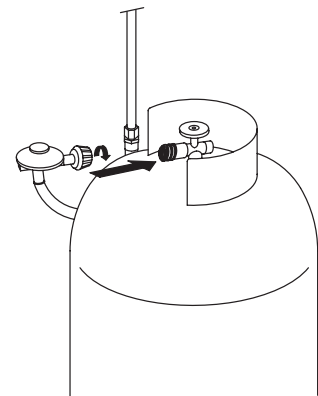
Étape 12 – Raccorder la conduite de gaz à la bonbonne

Utilisez uniquement le régulateur de pression et le tuyau fournis avec l'appareil. Les pièces et accessoires de rechange utilisés doivent être ceux spécifiés par le fabricant.

Placez la bonbonne en la glissant sur le socle de l'appareil.

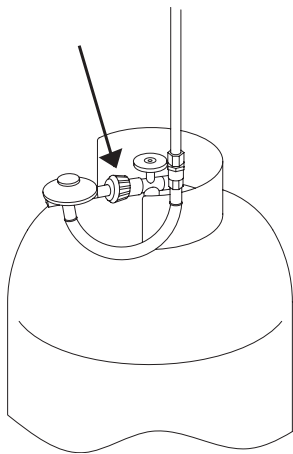
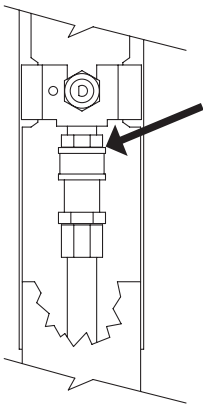
Raccordez la conduite de gaz à la bonbonne en tournant le bouton noir en plastique situé au-dessus de la valve de la bonbonne en serrant dans le sens des aiguilles d'une montre.

Remarque: veuillez à ne pas tordre le tuyau flexible de la conduite de gaz.



Attention:

Le Système de Chauffage Extérieur Endless Summer a été vérifié en usine afin de s'assurer que les raccords ne présentent aucune fuite. Vérifiez à nouveau tous les raccords car il est possible qu'ils se soient desserrés lors du transport. Vérifiez que l'appareil ne présente aucune fuite même si ce dernier a été assemblé pour vous au magasin.



Étape 13 – Rechercher une fuite potentielle

Préparez une solution d'environ 80 ml destinée à détecter les fuites en mélangeant un volume de détergent à vaisselle et 3 volumes d'eau.

Ouvrez la valve de la bonbonne de gaz (ON).

Vérifiez que la conduite de gaz et la valve de commande ne présentent pas de fuites:

À l'aide d'une cuillère, versez quelques gouttes de la solution sur le raccord de la conduite de gaz et de la valve de commande.

Vérifiez si des bulles apparaissent au niveau des raccords

Si les raccords NE présentent PAS de bulles, le raccord est étanche.

Si des bulles apparaissent, vous venez de découvrir une fuite :

Fermez la valve de la bonbonne de gaz (OFF).

Desserrez la vis de la bride.

Desserrez la pièce de raccord retenant la conduite de gaz à la bonbonne et effectuez à nouveau le raccord en vous assurant que le raccord est étanche (voir étape 9).

Serrez à nouveau la bride.

Si des bulles persistent après plusieurs tentatives, composez le 1-800-762-1142.

Vérifier la conduite de gaz et la bonbonne::

Ouvrez la valve de la bonbonne de gaz (ON).

À l'aide d'une cuillère, versez quelques gouttes de la solution sur le raccord de la conduite et de la valve de la bonbonne.

Vérifiez si des bulles apparaissent au niveau des raccords

Si les raccords NE présentent PAS de bulles, le raccord est étanche.

Si des bulles apparaissent, vous venez de découvrir une fuite :

Fermez la valve de la bonbonne de gaz (OFF).

Desserrez la pièce de raccord retenant la conduite de gaz à la bonbonne et effectuez à nouveau le raccord en vous assurant que le raccord est étanche (voir étape 13).

Si des bulles persistent après plusieurs tentatives, composez le 1-800-762-1142.

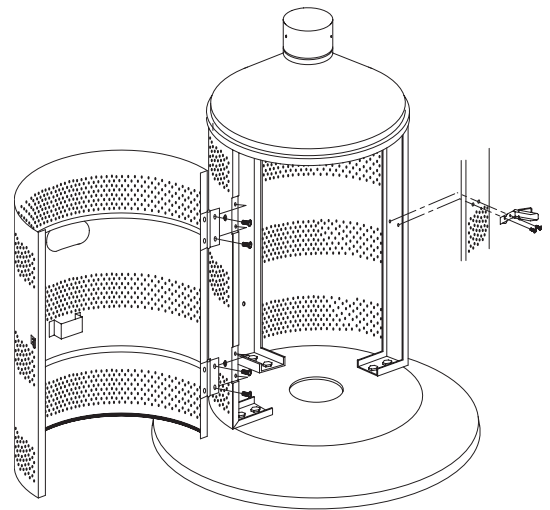
Fermez la valve de la bonbonne de gaz (OFF).

Étape 14 - Installer le panneau d'accès de la bonbonne

Alignez les orifices du verrou aux rainures du dispositif protecteur de la bonbonne. Fixez en place le panneau d'accès à l'aide de (2) vis et (2) écrous de verrouillage.

Alignez les orifices des charnières du panneau d'accès aux orifices de la surface encastrée, située sur la jambe gauche. Fixez chaque charnière à l'aide de (2) vis et de (2) écrous de charnière.

Fermez le panneau d'accès et glissez le verrou par-dessus le crochet de panneau et fermez avec un bruit sec.



Paso 15 – Volver a colocar el panel de acceso al motor

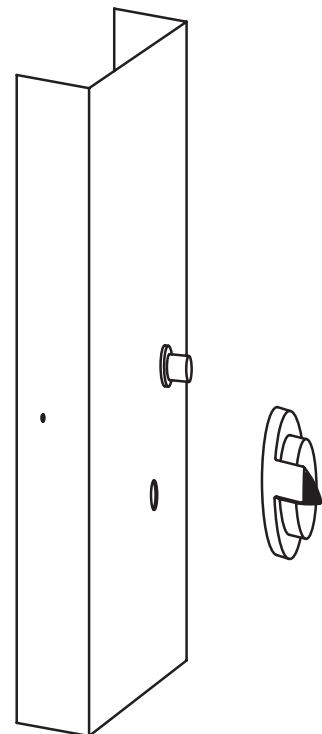
Glissez le fil d'allumage sur le montant (pôle) d'allumage.

Remplacez le panneau d'accès du moteur.

Fixez le panneau en place, à l'aide des (3) vis ayant été précédemment retirées des orifices des côtés et de la partie inférieure.

Remarque: lorsque vous avez complété avec succès les étapes d'assemblage 1 à 15, vous êtes prêts à faire fonctionner l'appareil.

Si vous désirez installer votre appareil de chauffage de façon permanente sur votre terrasse ou patio, utilisez l'orifice de 5/8" (15 mm) du socle pour le fixer à un boulon d'ancrage.





AVERTISSEMENT

POUR VOTRE SECURITE:

Si vous ne parvenez pas à allumer la veilleuse et vous sentez une odeur de gaz, attendez 5 minutes et laissez le gaz se dissiper avant de tenter de rallumer système de chauffage.

NE PAS toucher ni déplacer l'appareil pendant au moins 45 minutes après l'avoir éteint. Laissez les pièces du brûleur refroidir avant de les toucher.

Fonctionnement

Attention: NE PAS tenter de faire fonctionner l'appareil avant de lire et comprendre toutes les consignes de sécurité de la section 1 "La sécurité avant tout!"

Avant d'ouvrir la commande de gaz (ON)

Votre appareil a été conçu et approuvé afin d'être UTILISÉ À L'EXTÉRIEUR UNIQUEMENT. NE PAS utiliser l'appareil à l'intérieur d'un immeuble, garage ou tout autre espace clos.

Assurez-vous que le périmètre autour de l'appareil est dépourvu de matières combustibles, d'essence et d'autres liquides présentant des vapeurs ou émanations inflammables.

Assurez-vous que rien ne gêne la ventilation.

Assurez-vous que tous les raccords de gaz sont serrés et ne présentent aucune fuite.

Assurez-vous que le panneau d'accès ne comporte pas de débris.

Assurez-vous que toutes les pièces ayant été retirées lors de l'assemblage ou de l'entretien ont été replacées et fixées avant d'utiliser l'appareil.

Avant d'allumer l'appareil

Inspectez complètement l'appareil avant chaque utilisation et faites en sorte qu'un réparateur agréé inspecte l'appareil une fois par an.

Si vous devez rallumer un appareil déjà chaud, attendez au moins 5 minutes afin que le gaz se dissipe.

Vérifiez le tuyau afin de vous assurer qu'il n'est pas fendu et ne présente pas d'usure excessive. Testez les parties douteuses afin de vous assurer qu'elles ne présentent pas de fuite. Si le tuyau fuit, remplacez-le avant d'utiliser l'appareil. Utilisez uniquement un tuyau de rechange homologué par le fabricant.

Allumer l'appareil

Remarque: l'appareil est équipé d'une veilleuse qui facilite la mise en marche et l'arrêt de l'appareil. La veilleuse doit être allumée avant de pouvoir mettre en marche le brûleur principal.

Fermez la valve de la bonbonne en la réglant sur "OFF" (arrêt).

Poussez le bouton de commande et tournez-le sur "OFF".

Attendez 5 minutes pour que le gaz se dissipe.

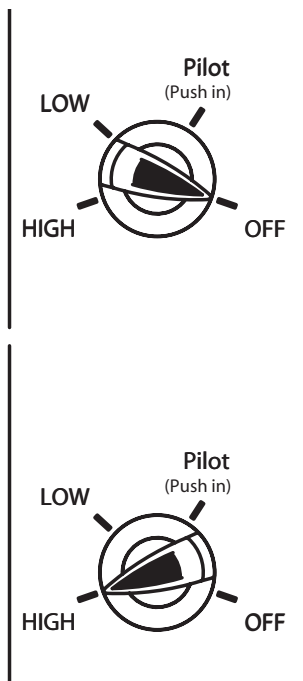
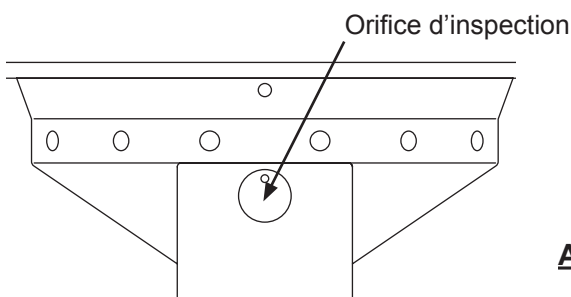
Ouvrez la valve de la bonbonne en la réglant sur "ON" (marche).

Ouvrez le trou d'inspection en glissant le cache vers un côté ou de l'autre.

Poussez le bouton de commande et tournez-le jusqu'à la position de la veilleuse (Pilot).

Remarque : lorsque vous allumez l'appareil pour la première fois ou après avoir remplacé la bonbonne, maintenez le bouton de commande enfoncé pendant 2 minutes afin de purger l'air des conduites de gaz avant de commencer.

Poussez le bouton d'allumage une fois. La flamme de la veilleuse apparaîtra et sera visible dans le trou d'inspection.



Relâchez le bouton de commande après 30 secondes. La veilleuse demeurera allumée. Si elle ne demeure pas allumée, reprenez à partir du premier point.

Réglez le bouton de commande sur "ON". Le brûleur principal s'allumera immédiatement. La flamme sera visible dans le trou d'inspection. Dans le cas contraire, reprenez à partir de l'étape 1.

Si pour une raison quelconque l'allumeur ne produit pas d'étincelle, votre système de chauffage peut être allumé en introduisant une allumette dans le trou d'inspection tout en maintenant le bouton de commande enfoncé pendant qu'il se trouve sur la position de la veilleuse (PILOT).

En cas de problème, voir le Guide de Dépannage de la page 16.

Attention: Évitez de respirer les vapeurs et émanations de l'appareil lors de sa première utilisation. La fumée et l'odeur provoquées par l'huile se dissiperont après environ 30 minutes. L'appareil NE devrait PAS produire de fumée noire.

Remarque: le brûleur risque d'être bruyant lorsque vous l'allumez pour la première fois. Pour éviter tout bruit excessif du brûleur, réglez le bouton de commande sur la position de veilleuse (PILOT). Ensuite, réglez le bouton sur le niveau de chaleur désiré.

Lorsque l'appareil est allumé (ON):

La grille de l'émetteur deviendra rouge vif en raison de l'intensité de la chaleur. La couleur est plus visible la nuit.

Des flammes bleues et jaunes apparaîtront au niveau du brûleur. Ces flammes ne devraient pas être jaunes ni produire de fumée noire. En présence de fumée noire épaisse, le flux d'air à l'intérieur de la tubulure des brûleurs est bloqué. Le flamme devrait être bleue avec des crêtes jaunes.

Si les flammes sont excessivement jaunes, éteignez l'appareil et consultez le Guide de Dépannage de la page 16.

Rallumer l'appareil

Remarque: pour votre sécurité, le bouton de commande ne peut être placé sur "OFF" (arrêt) sans tout d'abord le maintenir enfoncé sur la position de veilleuse (PILOT) et ensuite le tourner sur "OFF" (arrêt).

Réglez le bouton de commande sur "OFF" (arrêt).

Attendez 5 minutes afin que le gaz se dissipe avant de rallumer la veilleuse.

Reprenez les étapes de la section "Allumer l'appareil" de la page précédente.

Éteindre l'appareil

Tournez le bouton de commande dans le sens des aiguilles d'une montre jusqu'à la position de la veilleuse (PILOT). (Normalement, le brûleur émettra un léger bruit lors de son extinction). Le brûleur s'éteindra mais la veilleuse demeurera allumée (ON).

Pour éteindre la veilleuse, maintenez le bouton de commande enfoncé et continuez à le tourner dans le sens des aiguilles d'une montre jusqu'à "OFF" (arrêt).

Tournez la valve de la bonbonne sur "OFF" (arrêt) et débranchez le régulateur lorsque vous ne comptez pas utiliser l'appareil.

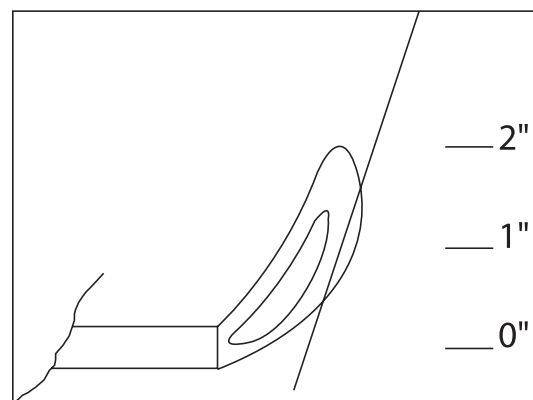
Remarque: après utilisation, la grille de l'émetteur risque d'être un peu décolorée.



AVERTISSEMENT

POUR VOTRE SECURITE:

Faites très attention lorsque vous tentez l'allumer manuellement l'appareil. Le fait de maintenir la commande pressée pendant plus de 10 secondes avant d'allumer le gaz entraînera la formation d'une boule de feu à l'allumage.



AVERTISSEMENT

POUR VOTRE SECURITE:

L'appareil demeurera chaud après l'avoir éteint. Faire preuve d'une extrême précaution.

Vérifications à effectuer avant toute utilisation

Pour votre sécurité et votre bien-être, veillez à toujours effectuer les vérifications suivantes à chaque fois avant d'utiliser le système de chauffage:

Avant d'allumer l'appareil

- Je me suis familiarisé avec le manuel d'exploitation et je comprends toutes les consignes de sécurité de la section "La sécurité avant tout!"
- Toutes les pièces sont intactes et ont toutes été montées correctement.
- Aucune modification n'a été effectuée.
- Les conduites de gaz sont toutes fixées et ne présentent aucune fuite.
- La vitesse du vent est inférieure à 16 km/h
- La température extérieure est supérieure à 40°F (5°C).
- L'appareil est installé à l'extérieur (hors de tout édifice).
- La ventilation est bonne.
- L'appareil est loin de tout carburant, liquide et autres sources de vapeurs inflammables.
- L'appareil est loin de fenêtres, bouches d'air, arroseurs automatiques et autres sources d'eau.
- L'appareil se trouve au minimum à 91 cm de toute matière combustible.
- L'appareil se trouve sur une surface dure et à niveau.
- Il n'y a aucune trace de toiles d'araignées ou de nids d'insectes.
- Toutes les ouvertures des brûleurs sont propres.
- Tous les passages par où l'air circule sont propres.
- Les enfants, les animaux domestiques, les vêtements, les matières inflammables et autres articles risquant d'être endommagés par la chaleur rayonnante sont tous loin de l'appareil.
- Les enfants et les adultes à proximité savent que l'appareil génère des températures élevées et risquent de se brûler ou de voir leurs vêtements prendre feu.
- Les enfants et les adultes à proximité savent qu'ils ne faut pas toucher l'appareil pendant qu'il fonctionne et qu'il faut attendre qu'il ait refroidi pour le toucher.

Après toute utilisation

- La commande de gaz est fermée ("OFF").
- La valve de la bonbonne de gaz est fermée ("OFF").
- Débranchez le tuyau de gaz.
- L'appareil a été remis debout à l'abri.

Guide de dépannage

Dans le cas suivant:	Problème:	Pour corriger le problème
La veilleuse ne s'allume pas <i>REMARQUE: L'appareil fonctionne à un rendement moindre en dessous de 40°F (5°C).</i>	La valve de la bonbonne de gaz est fermée.	Ouvrez la valve.
	Orifice ou tube de la veilleuse bouché.	Nettoyez/ remplacez l'orifice ou le tube de la veilleuse.
	Il y a de l'air dans la conduite de gaz.	Ouvrez et purgez la conduite de gaz (maintenir le bouton de commande enfoncé) pendant 1 à 2 minutes ou jusqu'à ce que vous sentiez une odeur de gaz
	La pression du gaz est basse même avec le robinet de gaz complètement ouvert	Réglez la valve de la bonbonne sur "OFF" et remplacez la bonbonne
	L'allumeur ne fonctionne pas.	Utilisez une allumette pour allumer la veilleuse. Procurez-vous un nouvel allumeur et remplacez-le.
La veilleuse ne demeure pas allumée.	Accumulation de saleté autour de la veilleuse.	Nettoyez la saleté autour de la veilleuse.
	Le raccord entre la valve du gaz et la veilleuse est desserré.	Serrez le raccord et déterminez si ce dernier présente une fuite.
	Le thermocouple est défectueux.	Remplacez le thermocouple.
Le brûleur ne s'allume pas	La pression de gaz est trop basse.	Réglez la valve de la bonbonne sur "OFF" et remplacez la bonbonne.
	L'orifice est bouché.	Débouchez l'orifice.
	Le bouton de commande n'est pas sur ON.	Réglez le bouton de commande sur "ON".
La flamme du brûleur est basse	La pression de gaz est trop basse.	Fermez la valve (OFF) et remplacez la bonbonne
	La température extérieure est inférieure à 40°F (5°C) et le réservoir n'est plein qu'au 1/4 de sa capacité.	Utilisez une bonbonne neuve.
	Le tuyau d'alimentation de gaz est plié ou tordu.	Dépliez le tuyau.
	Le bouton de commande est complètement ouvert (ON).	Vérifiez que le brûleur et les orifices ne sont pas bouchés.
La lueur de l'émetteur n'est pas uniforme. <i>Remarque: La partie inférieure de 2,5 cm de l'émetteur NE présente PAS de lueur.</i>	La pression du gaz est trop basse.	Fermez la valve de la bonbonne (OFF) et remplacez la bonbonne.
	Le socle n'est pas sur une surface à niveau. L'appareil est à niveau.	Placez l'appareil de chauffage sur une surface à niveau. Nettoyez le brûleur.
Accumulation de carbone.	Saleté ou film sur réflecteur et émetteur.	Nettoyez le réflecteur et l'émetteur.
Fumée épaisse noire.	Le brûleur est bouché.	Retirez l'obstacle et nettoyez l'intérieur et l'extérieur du brûleur.



AVERTISSEMENT

POUR VOTRE SECURITE:

- **NE PAS toucher ni déplacer l'appareil pendant au moins 45 minutes après l'avoir éteint.**
- **Le dôme est chaud au toucher.**
- **Laisser le dôme refroidir avant de le toucher.**

Entretien

Afin que votre système de chauffage puisse fonctionner à plein rendement pendant de longues années, procédez régulièrement à l'entretien de l'appareil:

Veillez à ce que les surfaces extérieures demeurent propres.

Utilisez de l'eau savonneuse tiède pour nettoyer. N'utilisez jamais des produits de nettoyage inflammables ou corrosifs.

Lorsque vous nettoyez l'appareil, assurez-vous que la zone autour du brûleur et de la veilleuse demeure toujours sèche. Si la commande de gaz est submergée dans de l'eau, NE PAS l'utiliser. Elle devra être remplacée.

Rien ne doit gêner le flux d'air. Veillez à ce que les commandes, le brûleur, et les ouvertures permettant la circulation de l'air demeurent propres. Les indices permettant de déterminer qu'il existe un obstacle sont les suivants:

Il existe une odeur de gaz et la crête de la flamme est extrêmement jaune.

L'appareil n'atteint PAS la température désirée.

La lueur de l'appareil n'est pas du tout uniforme.

L'appareil émet des bruits.

Les araignées et les insectes peuvent s'introduire dans le brûleur et les orifices de l'appareil. Ces obstacles risquent de provoquer des problèmes et de présenter un danger lors de l'utilisation de l'appareil. Nettoyez les ouvertures du brûleur en utilisant un déboureur-pipe. Il est possible d'utiliser de l'air comprimé afin de déloger les petites particules.

Les résidus de carbone risquent de provoquer un incendie. Nettoyez le dôme et le moteur avec de l'eau tiède savonneuse pour nettoyer des résidus de carbone.

Remarque: dans une atmosphère saline (à proximité de la mer), les traces de rouille apparaissent plus vite qu'à la normale. Vérifiez régulièrement que l'appareil ne présente pas de points de rouille et réparez-les rapidement si nécessaire.

CONSEIL:

Utilisez un lustrant automobile afin que l'appareil de chauffage conserve son brillant. Appliquez le produit sur les surfaces extérieures du montant (pôle) vers le bas. N'appliquez pas de produit de lustrage sur la grille de l'émetteur ni sur le dôme.

Rangement

Entre chaque utilisation:

Réglez le bouton de commande sur "OFF" (arrêt).

Débranchez la bonbonne de gaz.

Remisez l'appareil en le plaçant debout à l'abri des intempéries (la pluie, la pluie verglaçante, la grêle, la neige, la poussière et autres débris).

Si vous le souhaitez, recouvrez l'appareil afin de protéger les surfaces extérieures.

Remarque: attendez que l'appareil ait refroidi avant de le couvrir.

Si vous ne comptez pas utiliser l'appareil pendant une longue période ou lors de son transport:

Réglez le bouton de commande sur "OFF" (arrêt).

Débranchez la bonbonne de propane et placez-la à l'extérieur dans un endroit bien aéré.

Remisez l'appareil en le plaçant debout à l'abri des intempéries (la pluie, la pluie verglaçante, la grêle, la neige, la poussière et autres débris).

Si vous le souhaitez, recouvrez l'appareil afin de protéger les surfaces extérieures.

Ne laissez jamais une bouteille de propane en plein soleil ou en contact direct avec une chaleur excessive.

Remarque: attendez que l'appareil ait refroidi avant de le couvrir.

Service après-vente

Pour toute assistance afin de vous procurer des pièces de rechange ou afin de pouvoir réparer des pièces endommagées ou défectueuses, composez le 1-800-762-1142 ou contactez notre service à la clientèle par courrier électronique à CustomerService@BlueRhino.com. Veuillez fournir le numéro du modèle et son numéro de série. Ces numéros se trouvent sur la plaque signalétique à l'intérieur de l'appareil.

Attention: Utilisez uniquement des pièces de rechange d'origine. Le non-respect de cette consigne ainsi que toute modification des pièces risque d'annuler la garantie et de créer des conditions dangereuses.

Attention: Laissez l'appareil refroidir avant de procéder à son entretien ou à sa réparation.

GARANTIE LIMITÉE

La société Blue Rhino Sourcing, LLC (« le fabricant ») garantit ce système/appareil de chauffage au premier acheteur et à aucune autre personne, contre tout vice de fabrication et matériau de fabrication défectueux pendant deux (2) an à partir de la date d'achat si l'appareil est monté et utilisé conformément aux instructions imprimées fournies. Le fabricant vous demandera sans doute une preuve raisonnable d'achat, veuillez donc conserver votre facture ou votre reçu. Cette garantie limitée se limitera à la réparation ou au remplacement de pièces ayant été déterminées défectueuses par le fabricant lors de conditions d'utilisation et d'entretien normales. Avant de renvoyer une pièce, contactez le service à la clientèle du fabricant (Customer Service Department) à l'adresse ci-dessous. Si le fabricant confirme le défaut de fabrication comme étant couvert par la garantie et approuve la réclamation, ce dernier remplacera gratuitement les dites pièces. Si vous devez renvoyer des pièces défectueuses, les pièces devront être expédiées port-payé. Le fabricant s'engage à renvoyer les pièces à l'acheteur initial port-payé

Cette garantie limitée ne couvre pas les pannes et dysfonctionnements survenant suite à tout accident, mauvais usage, entretien incorrect de ce système/appareil de chauffage, ou toute modification, mauvaise installation ou négligence. Cette garantie limitée ne couvre pas non plus les dommages survenant lors du transport, le réglage normal du brûleur, ni les dommages ou les réparations liées aux insectes, oiseaux ou animaux quels qu'ils soient ni les dommages liés aux conditions météorologiques comme il a été établi dans ce manuel. De plus, cette garantie limitée ne couvre pas le fini, à savoir les rayures, les bosses, les traces de décoloration, de rouille ou les dommages résultant des intempéries après achat de l'appareil.

Cette garantie remplace toute autre garantie expresse et il n'existe aucune autre garantie expresse à l'exception de la couverture indiquée ici. Le fabricant désavoue toute garantie couvrant des produits ayant été achetés auprès de revendeurs autres que les revendeurs et distributeurs agréés. **APRÈS DEUX (2) AN, À SAVOIR LA DURÉE DE LA COUVERTURE DE LA GARANTIE EXPRESSE, LE FABRICANT DÉSAVOUE ET DÉCLINE TOUTE GARANTIE IMPLICITE Y COMPRIS TOUTE garantie de commerciabilité et d'adaptation à un usage particulier. DE PLUS, LE FABRICANT NE POURRA ÊTRE TENU responsable PAR L'ACHETEUR OU UN TIERS POUR TOUS DÉGÂTS ET DOMMAGES PARTICULIERS, INDIRECTS, PUNITIFS OU CONSÉCUTIFS.** Le fabricant décline toute responsabilité en cas de panne ou dysfonctionnement résultant d'une modification ou altération effectuée par un tiers. Cette garantie limitée octroie des droits juridiques spécifiques à l'acheteur et il est possible que ce dernier en possède d'autres selon sa localité. Certaines juridictions ne permettent pas l'exclusion ni la limitation de dommages consécutifs ou accessoires et ces limitations peuvent ne pas vous être applicables. Le fabricant ne permet en aucun cas à une personne ou à une société de s'attribuer les responsabilités et les obligations liées à la vente, l'installation, l'utilisation, la dépose ou le remplacement de cet appareil, et aucune de ces représentations n'engage la responsabilité du fabricant.

Blue Rhino Global Sourcing, LLC
104 Cambridge Plaza Drive
Winston-Salem, North Carolina 27104, États-Unis
Téléphone (800) 762-1142
Télécopie 24h par jour: (336) 659-6743
CustomerService@BlueRhino.com

Caractéristiques techniques

Certifications

Certification internationale ACNOR (CSA 5.90)
Norme CAN 1-2.23-M82 (Canadian National Standard)

Puissance:

Débit calorifique maximum: 40,000 BTU/heure

Périmètre chauffé:

Jusqu'à 6 mètres de diamètre.

Carburant:

Propane liquide (gaz LP)

Type de bonbonne:

20 lbs / 5 galons (9 kg / 18,9 litres)

Pression du gaz d'alimentation:

Maximum – 150 PSI
Minimum – 5 PSI

Pression: collecteur et tubulure:

11 po. (279 mm) CE.

Moteur:

IPP E3

Dispositif de sécurité:

Extinction à 100% des brûleurs

Fabricant:

Blue Rhino Global Sourcing, LLC

Lieu de fabrication:

Chine

Manufactured for:
Blue Rhino Global Sourcing, LLC
A wholly owned subsidiary of Blue Rhino Corporation (NASDAQ-RINO)
104 Cambridge Plaza Drive, Winston-Salem, NC 27104 USA
1.800.762.1142, www.bluerhino.com

© 2004 CPD Associates. All Rights Reserved
Made in China

Fabriqué pour
Blue Rhino Global Sourcing, LLC
Une filiale appartenant en propriété exclusive à Blue Rhino Corporation
(NASDAQ-RINO)
04 Cambridge Plaza Drive, Winston-Salem, NC 27104 États-Unis
1.800.762.1142, www.bluerhino.com

© 2004 CPD Associates. Tous droits réservés
Fabriqué en Chine